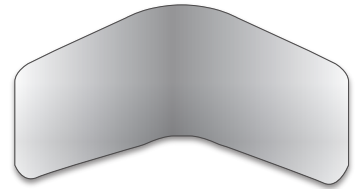
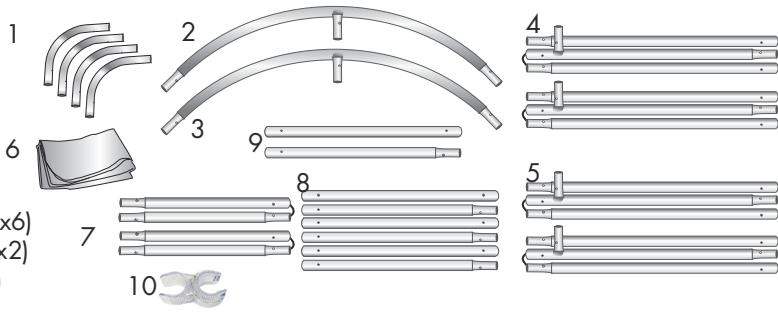


54" x 90° Eurofit Angle

Product Parts

- 1 - Corner Poles (x4)
- 2 - Top Center Pole
- 3 - Bottom Center Pole
- 4 - Top Horizontal Poles (x2)
- 5 - Bottom Horizontal Poles (x2)
- 6 - Graphic
- 7 - Left & Right Vertical End Poles
- 8 - Vertical Center Straight Poles (x6)
- 9 - Vertical Center Curved Poles (x2)
- 10 - Plastic Hinge Connector (x1)



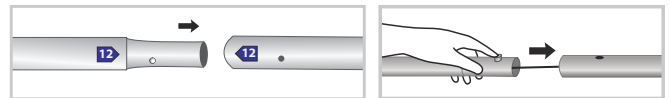
Display Set-Up

Step 1

Begin by removing all parts from the carry case and place on a clean, flat surface. Ensure you have all the components listed above.

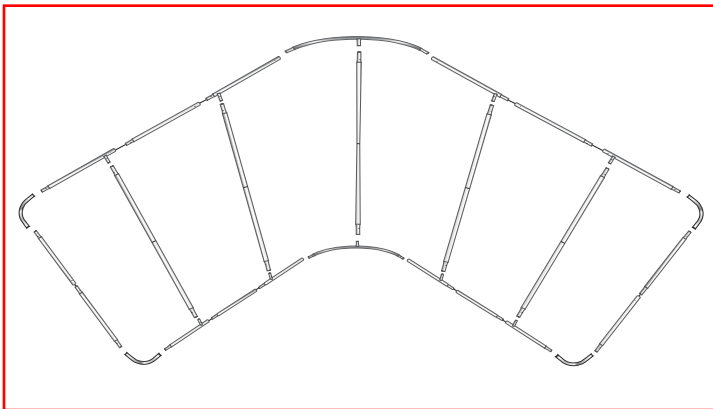
Step 2

Assemble all the poles by connecting the corresponding numbers together while pressing the snap button as shown.



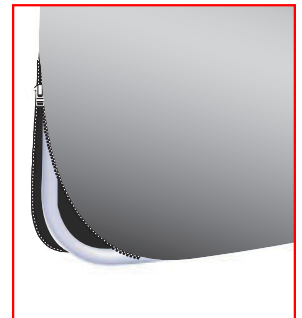
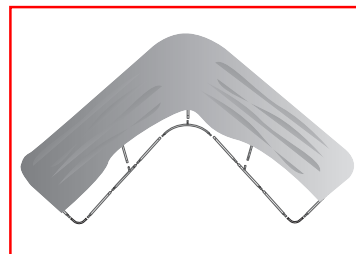
Step 3

Continue to connect the poles illustrated in the image below.



Step 4

With the zipper at the bottom, drape the Graphic (6) over the hardware and zip closed.



Plastic Hinge Connector

Used to connect all Eurofit Displays with 1.25" Diameter Poles.



Storage & Care

Place all product parts into Carry Case and store in a cool dry location. Recommended for indoor use only. Machine wash on gentle cycle using mild detergent. Tumble Dry No Heat. Do NOT dry clean, Do NOT Iron.