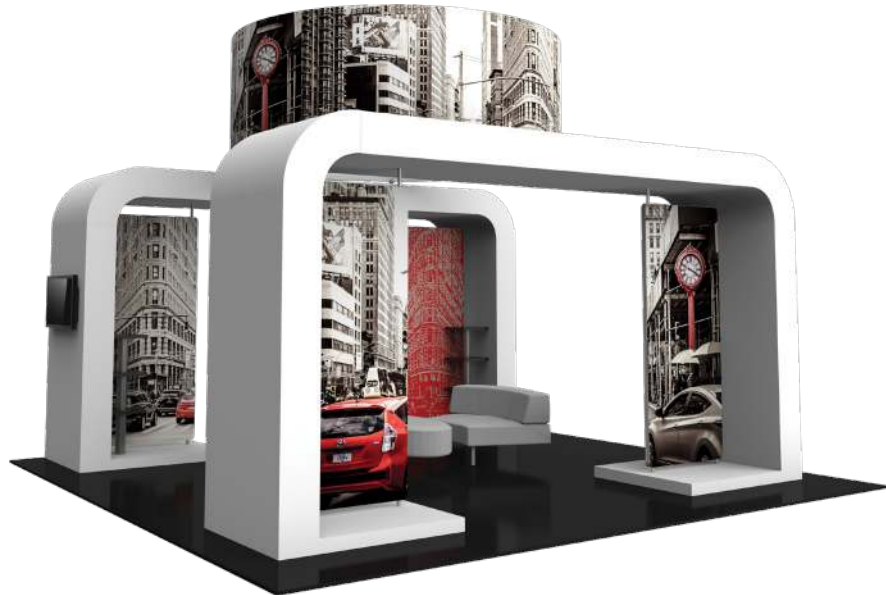


# Hybrid Pro Modular Kit 20

## HP-K-20

Hybrid Pro™ Modular exhibits and counters are a perfect solution for the serious exhibitor. Exhibits feature heavy-duty aluminum extrusion frames and push-fit fabric graphics. Count on making an unforgettable impact with Hybrid Pro Modular exhibit kits, counters, and accessories.



This product may include the following materials for recycle: aluminum, select wood, fabric, cardboard, paper, steel, and plastics.

We are continually improving and modifying our product range and reserve the right to vary the specifications without prior notice. All dimensions and weights quoted are approximate and we accept no responsibility for variance. E&OE. See Graphic Templates for graphic bleed specifications.

## features and benefits:

- Stands approximately 14' tall and features a 12'd x 4'h circular ring structure, laminated wood structures and fabric graphic walls
- Single-sided dye-sublimated push-fit fabric graphics with Velcro on perimeter
- Four internally facing shelving areas feature three 24" x 24" shelves each

- Kit includes laminate walls, ten fabric graphic panels, one pillowcase fabric graphic, two large monitor mounts, two large monitor mount, 12 shelves, two molded cases, and two woodcrates
- Lifetime hardware warranty against manufacturer defects

## dimensions:

### Hardware

Assembled unit (including ring structure):  
212.875"w x 167.375"h x 212.375"d

Four white laminate walls:  
48"w x 118"h x 12" thick

Approximate weight:  
1425 lbs / 647 kg

### Shipping

Packing case(s):  
1 OCE  
1 NCRATE  
2 WOODCRATES

Shipping dimensions:  
OCE: Expandable case length (l) may vary  
40" - 66"l x 18"h x 18"d  
1016mm-1677mm(l) x 458mm(h) x 458mm(d)

NCRATE:  
60"l x 57"h x 48"d  
1524mm(l) x 1448mm(h) x 1219mm(d)

WOODCRATE:  
101"l x 53"h x 49"d  
2565mm(l) x 1346mm(h) x 1245mm(d)

Approximate total shipping weight:  
2437 lbs / 1106 kg

### Graphic

Refer to related graphic template for more information.

Visit:  
<https://www.theexhibitorshandbook.com/download-graphic-templates>

## additional information:

Graphic material:  
Dye-sublimation SEG push-fit fabric

Buttress walls: 118.125"h

white laminate platforms: 48" x 48"  
(holds 4 fabric graphic walls)

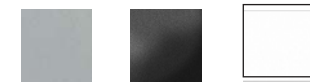
Shelves: 24"w x 24"d

Large monitor bracket holds 37 - 70" LCD,  
maximum weight: 50 lbs / 37 kg

Max shelf weight (each): 5 lbs / 3 kg

Center ring structure will require rigging of  
center structure to ceiling

### Panel Colors:



grey

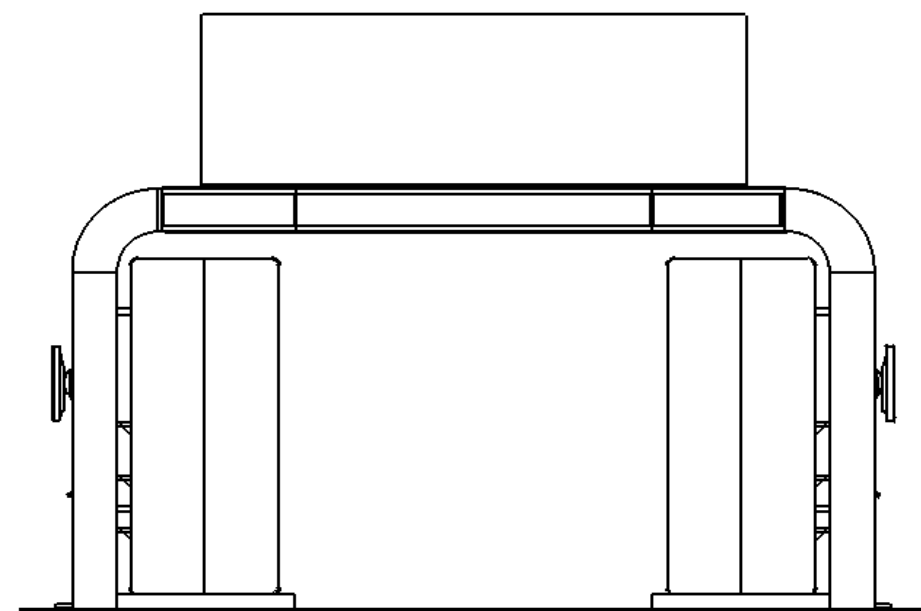
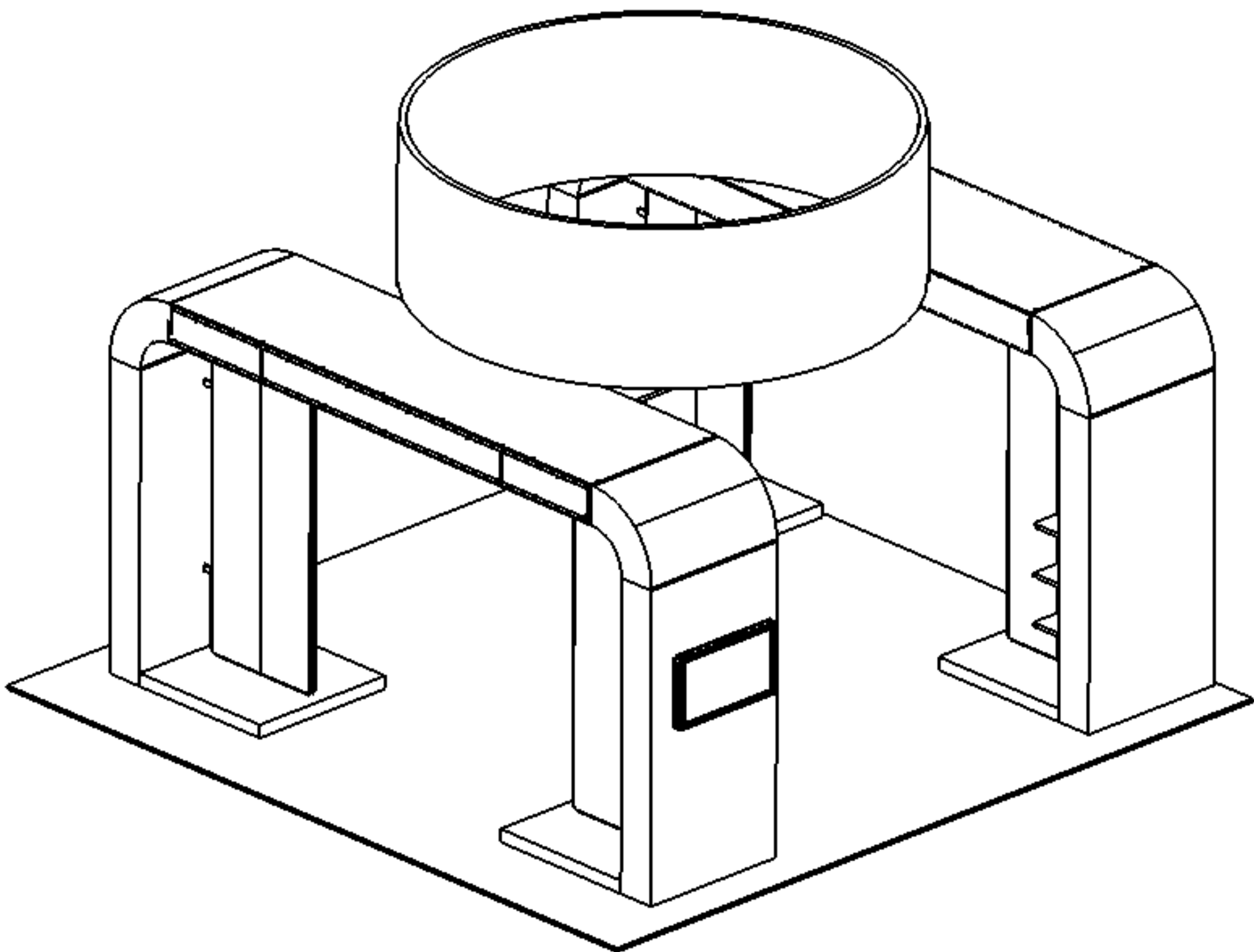
black

white

## 3 person assembly recommended:



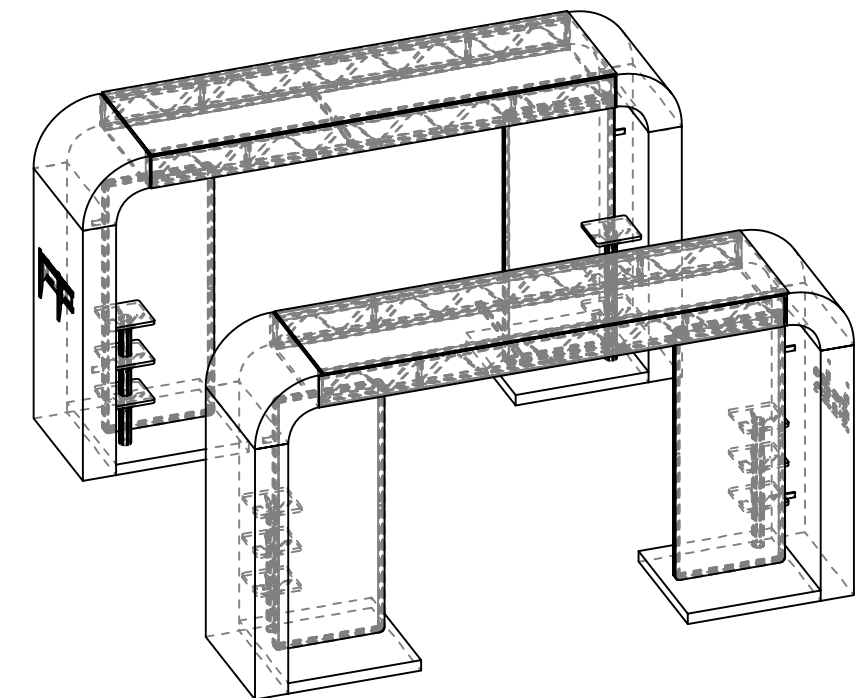
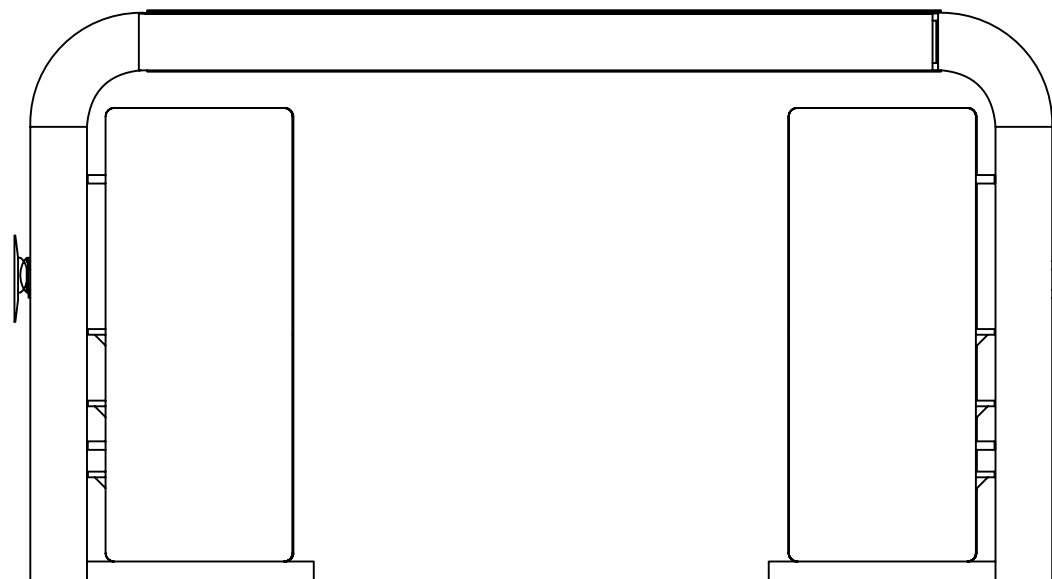
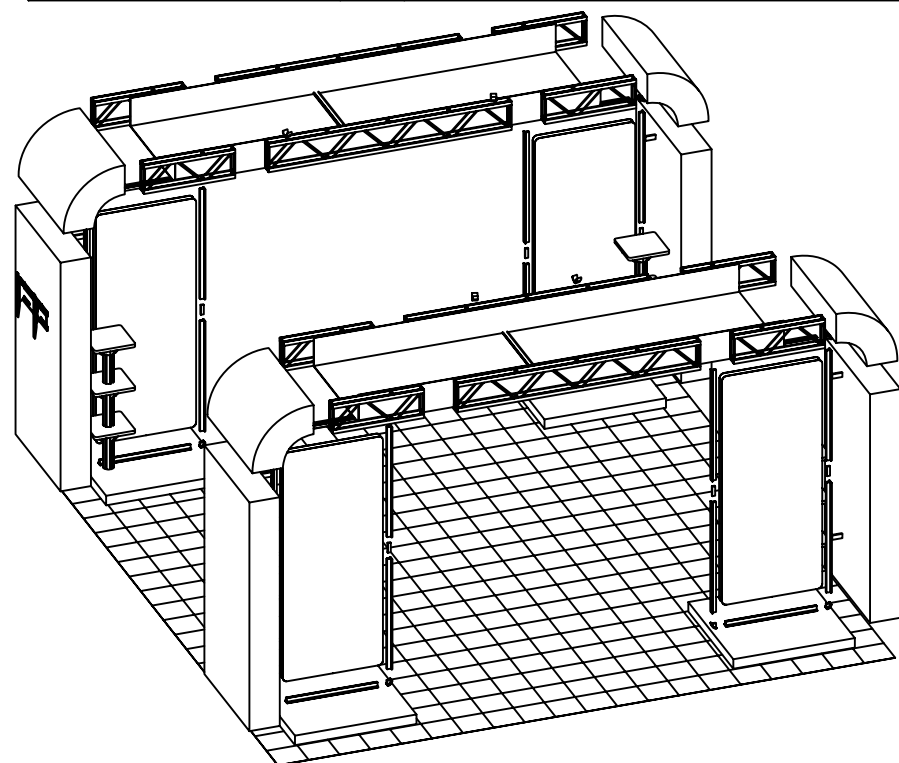
R-HP-K-20

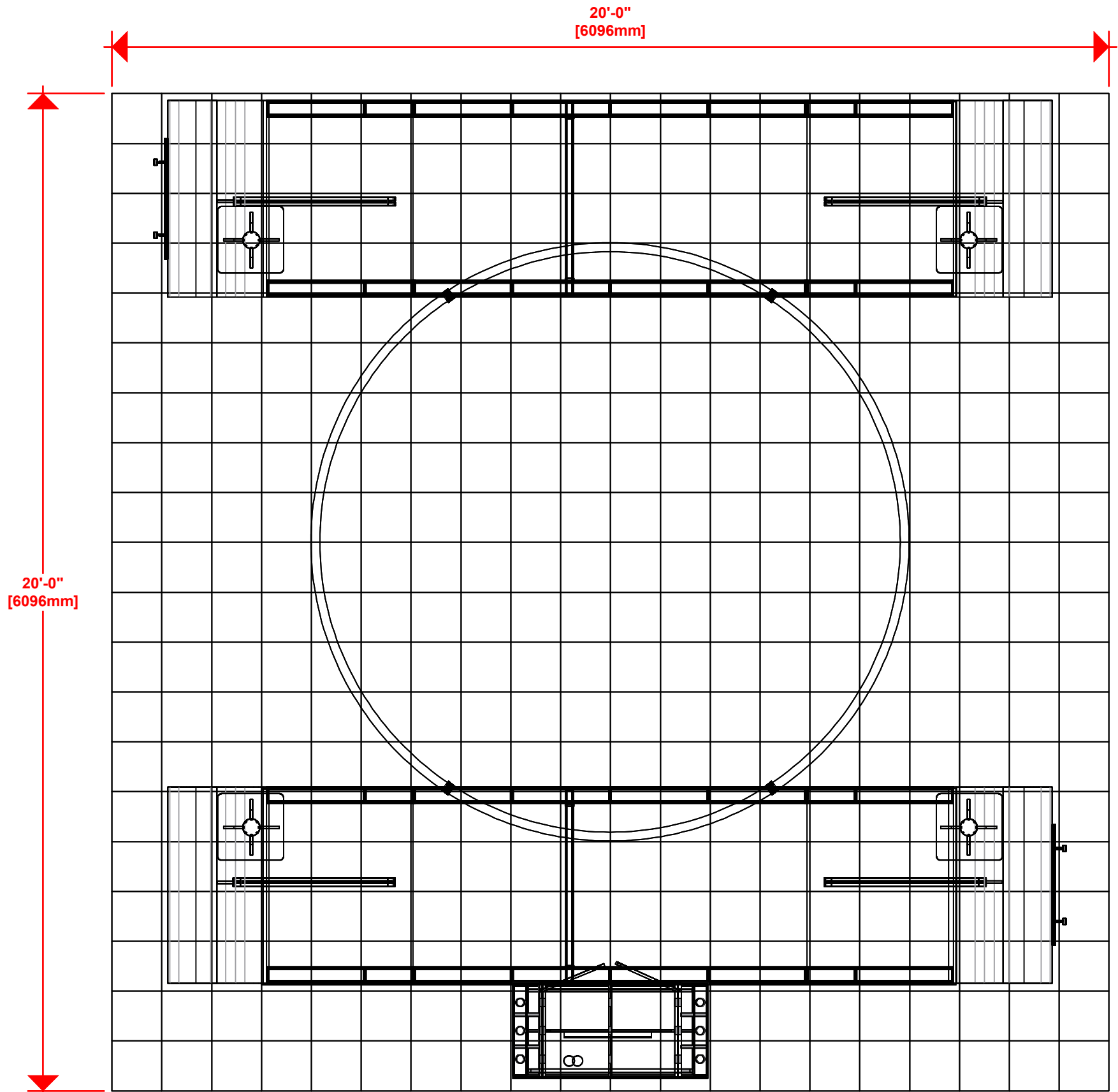


Code	#	Description
R16	4	900MM (35.43") PHFC2 EXTRUSION WITH LOCKS 2 ENDS
IB2	8	PH INLINE CONNECTOR
CB9-R	16	50MM ROUND PHCF2 CORNER BRACKET
R28	16	1155MM (45.47") PHFC2 EXTRUSION WITH IB2 HOLE ONE SIDE-WITH LOCK 1 END
R94	4	900MM (35.43") PHFC2 EXTRUSION WITH LOCKS 2 ENDS WITH SIDE CAM LOCKS
GRAPHIC B2	1	94 1/2" (H) X 39 3/8" (W) SINGLE SIDED DYESUB GRAPHIC W/ FCE-2 (SEG) ON PERIMETER
GRAPHIC B1	1	94 1/2" (H) X 39 3/8" (W) SINGLE SIDED DYESUB GRAPHIC W/ FCE-2 (SEG) ON PERIMETER
R100	2	2400MM X 1200MM X 300MM CUSTOM WOOD PANELS W/ MONITOR MOUNTS 66" ON CENTER ON OUTSIDE
R97	8	900MM (3FT NOMINAL) MILL FINISH BOLD TRUSS
R98	4	2400MM (8FT NOMINAL) MILL FINISH BOLD TRUSS
R102	4	1200MM X 1200MM X 100MM CUSTOM WOOD PANELS W/ TEE NUTS FOR SMARTWALL FRAME TO BOLT TO
GRAPHIC A2	1	94 1/2" (H) X 39 3/8" (W) SINGLE SIDED DYESUB GRAPHIC W/ FCE-2 (SEG) ON PERIMETER
GRAPHIC A1	1	94 1/2" (H) X 39 3/8" (W) SINGLE SIDED DYESUB GRAPHIC W/ FCE-2 (SEG) ON PERIMETER
R99	2	2400MM X 1200MM X 300MM CUSTOM WOOD PANELS
GRAPHIC C1	1	94 1/2" (H) X 39 3/8" (W) SINGLE SIDED DYESUB GRAPHIC W/ FCE-2 (SEG) ON PERIMETER
GRAPHIC C2	1	94 1/2" (H) X 39 3/8" (W) SINGLE SIDED DYESUB GRAPHIC W/ FCE-2 (SEG) ON PERIMETER
GRAPHIC D1	1	94 1/2" (H) X 39 3/8" (W) SINGLE SIDED DYESUB GRAPHIC W/ FCE-2 (SEG) ON PERIMETER
GRAPHIC D2	1	94 1/2" (H) X 39 3/8" (W) SINGLE SIDED DYESUB GRAPHIC W/ FCE-2 (SEG) ON PERIMETER
R101	4	1200MM X 600MM X 600MM CURVED WOOD PANELS
EXT-LG-MB	2	LARGE MONITOR MOUNTING BRACKET FOR MONITORS 37"-70"
CT-22L	4	406MM X 406MM X 30MM LAMINATE COUNTER TOP W/PEs ON BOTTOM
R95	4	1200MM (47.24") 100MM PM4R8 SILVER "8" CHANNEL ROUND EXTRUSION WITH THREADED INSERT ONE END
CT-22L	8	406MM X 406MM X 30MM LAMINATE COUNTER TOP W/PEs ON BOTTOM AND THROUGH HOLE FOR PM4R8 EX
R96	48	170MM (6.69") PH GUSSET EXTRUSION MITER CUT BOTH ENDS WITH 45 DEGREE LOCKS 2 ENDS
GRAPHIC F1	1	55 1/8" (H) X 165 3/8" (W) SINGLE SIDED DYESUB GRAPHIC W/ VELCRO ON BACK PERIMETER. GRAPHIC WRAP
GRAPHIC F2	1	55 1/8" (H) X 165 3/8" (W) SINGLE SIDED DYESUB GRAPHIC W/ VELCRO ON BACK PERIMETER. GRAPHIC WRAP
R63	8	100MM PH WITH LOCKS BOTH ENDS
LINER	2	47 1/4" X 165 3/8" UNPRINTED LINER W/ VELCRO ON BACK PERIMETER. GRAPHIC WRAPS
R119	2	1170MM(46.06") PH EXTRUSION WITH(2) WOOD BLOCKS AND (4) LN605EN□□□

# BOM

R-HP-K-20

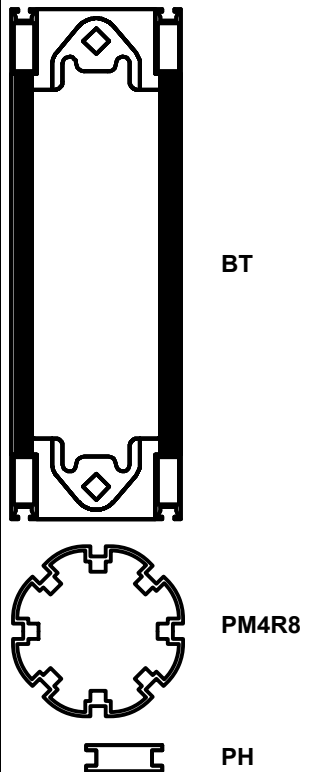




1. Redesign of this exhibit without approval by manufacturer may result in dangerous and unsafe structures. Manufacturer disclaims any responsibility for redesigned exhibits it does not approve in writing.

2. Parts and components such as panels and extrusions are manufactured to metric sizing. Where ever possible sizes have been noted in feet and inches as well as in metric. Below is the imperial to metric sizing table as reference. "Nominal" refers to approximate size.

- |                    |                                   |
|--------------------|-----------------------------------|
| 2400mm = (94 1/2") | ▼ Phone Line / Fax                |
| 2100mm = (82 5/8") | ▼ Internet connection             |
| 1800mm = (70 7/8") | ▼ Outlet                          |
| 1500mm = (59")     | ▼ Main Drop (point of distrution) |
| 1200mm = (47 1/4") |                                   |
| 900mm = (35 1/2")  |                                   |
| 600mm = (23 5/8")  |                                   |
| 300mm = (11 7/8")  |                                   |
- Wire running under carpet



**HYBRID PRO RENTAL KIT**

Title: SET-UP INSTRUCTIONS

# RNG1204

## SET UP INSTRUCTIONS:

1. CONNECT BOTTOM AND TOP TUBES FOLLOWING THE LABELS
2. CONNECT SIDE TUBES
3. CLEAN THE FRAME AND PLACE THEM ON CLEAN PLACE
4. CAREFULLY REMOVE FABRIC COVER FROM BAG
5. PLACE COVER AROUND THE BOTTOM OF THE FRAME
6. PULL COVER CAREFULLY UP TO THE TOP
7. CLOSE ALL ZIPPERS
8. ADJUST FABRIC AROUND THE FRAME
9. CONNECT CABLE HARNESS TO THE EYEBOLTS
10. COMPLETELY TIGHTEN THREADED CONNECTORS

## BREAK DOWN INSTRUCTIONS:

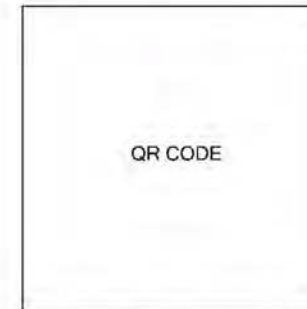
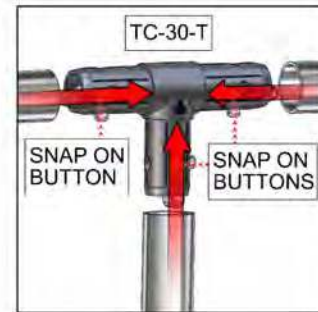
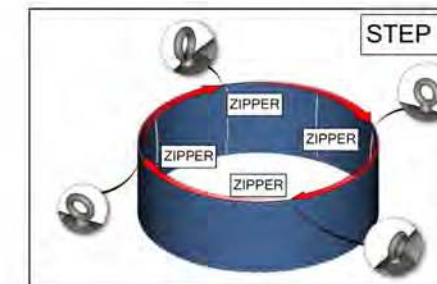
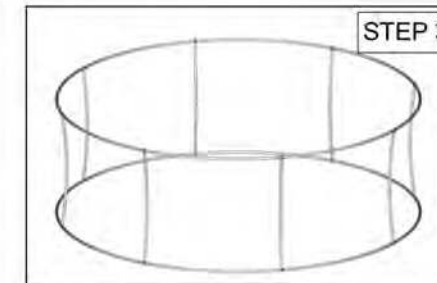
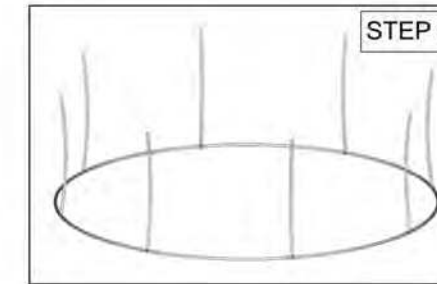
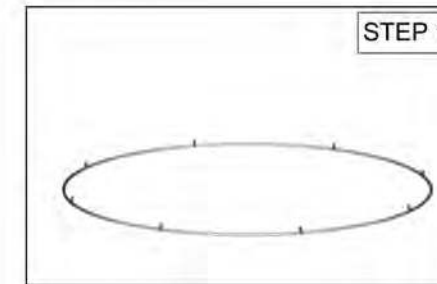
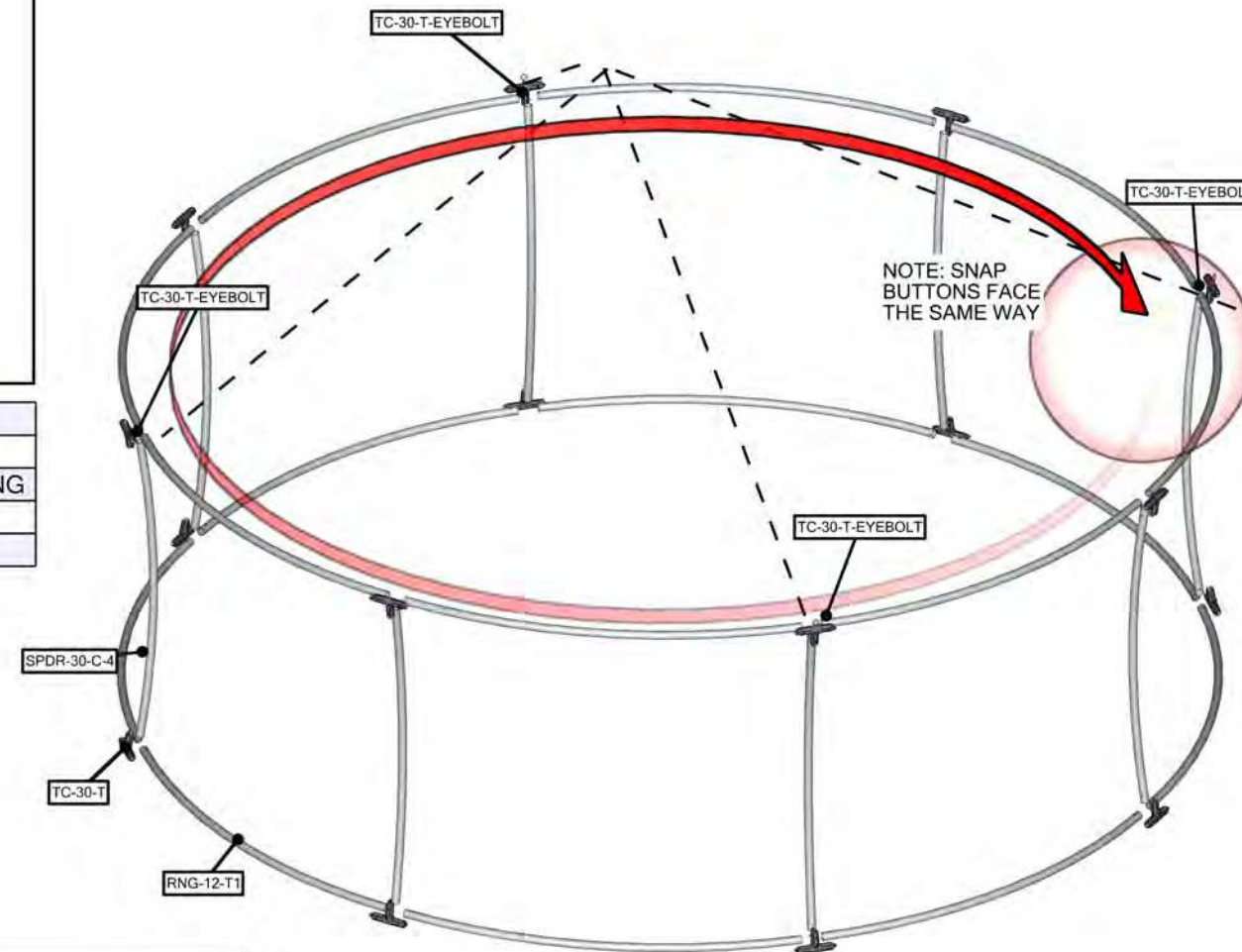
REVERSE SET-UP STEPS TO BREAKDOWN FRAME

## FABRIC CARE INSTRUCTIONS:

1. UNZIP COVER ZIPPERS
2. CAREFULLY REMOVE FABRIC COVER
3. CLOSE ALL ZIPPERS
4. FOLD OR ROLL NEATLY
5. PLACE FABRIC IN COVER BAG

QTY	CODE	DESCRIPTION
8	SPDR-30-C-4	30MM CURVED SPREADER FOR
16	RNG-12-T1	30MM TUBE FOR 12' DIAMETER RING
12	TC-30-T	T JUNCTION FOR 30MM TUBING
4	TC-30-T-EYEBOLT	T JUNCTION FOR 30MM TUBING

TOTAL WEIGHT: 52.3 (lbs)  
 MAX SIZE: 55.1 (in)  
 HARDWARE: 28.6 (lbs)  
 GRAPHIC: 20.9 (lbs)



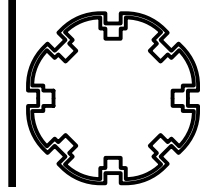
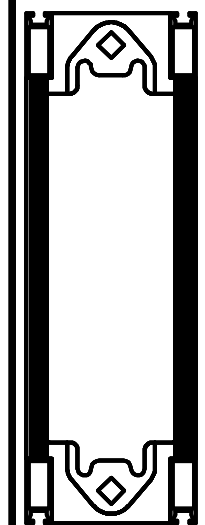
Set-up Video

1. Redesign of this exhibit without approval by manufacturer may result in dangerous and unsafe structures. Manufacturer disclaims any responsibility for redesigned exhibits it does not approve in writing.

2. Parts and components such as panels and extrusions are manufactured to metric sizing. Where ever possible sizes have been noted in feet and inches as well as in metric. Below is the imperial to metric sizing table as reference. "Nominal" refers to approximate size.

2400mm = (94 1/2")	Phone Line / Fax
2100mm = (82 5/8")	Internet connection
1800mm = (70 7/8")	Outlet
1500mm = (59")	Main Drop (point of distrution)
1200mm = (47 1/4")	
900mm = (35 1/2")	
600mm = (23 5/8")	
300mm = (11 7/8")	

Wire running under carpet

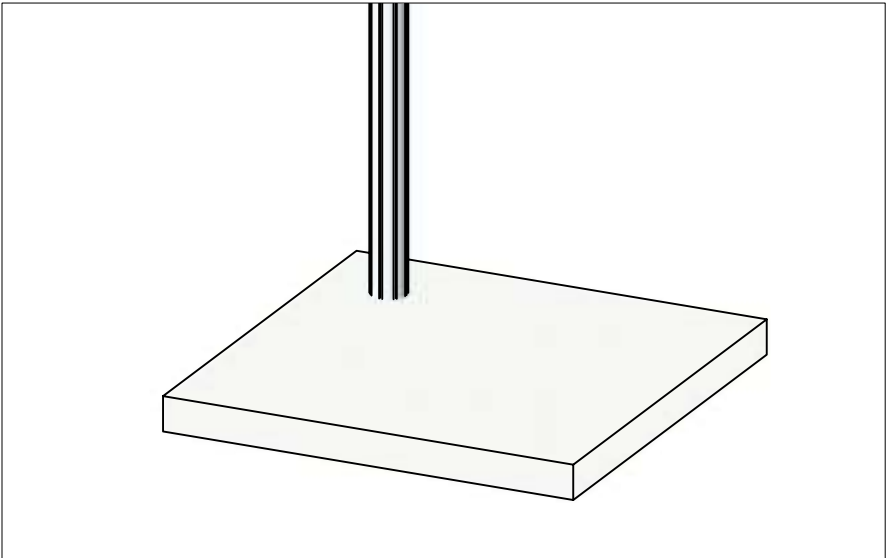


HYBRID PRO RENTAL KIT

Title: SET-UP INSTRUCTIONS



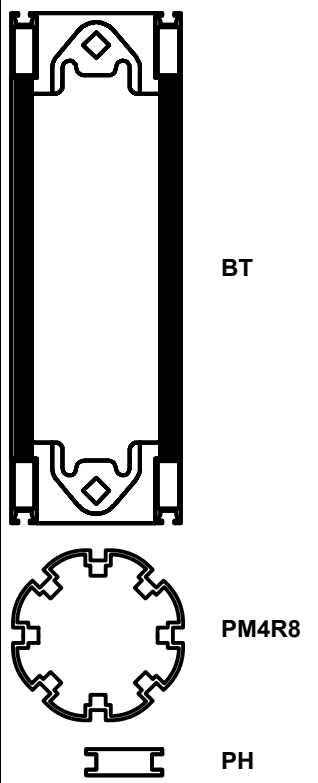
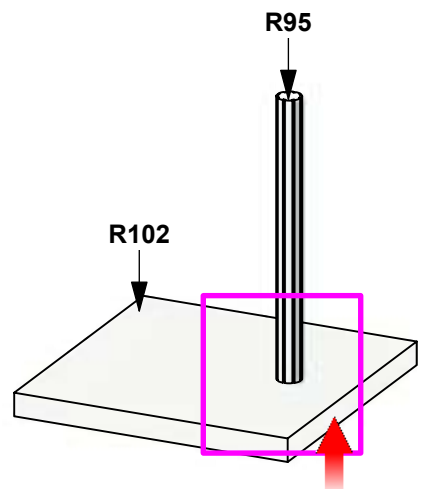
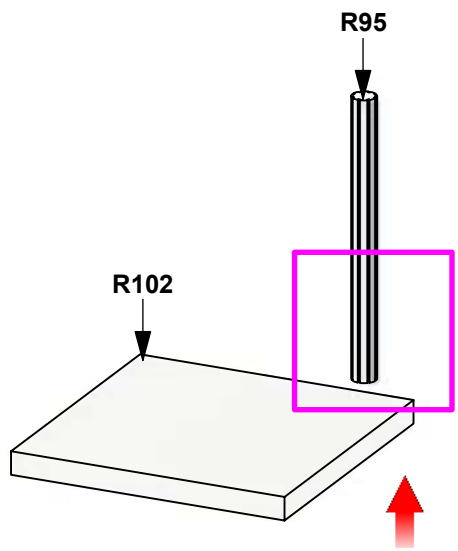
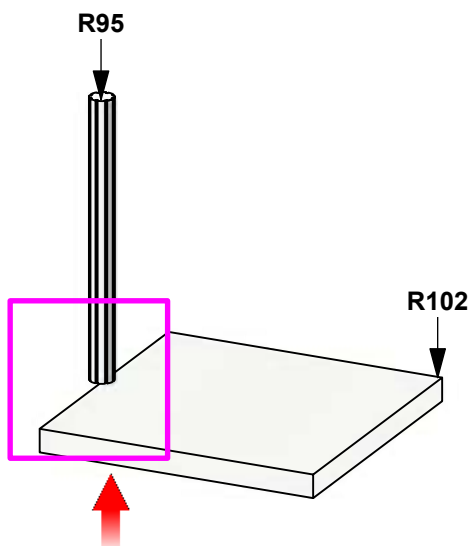
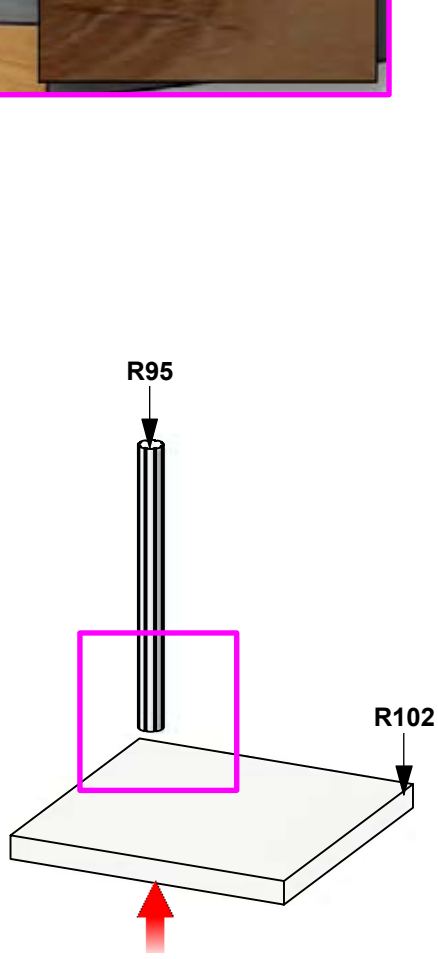
Code	#	Description
R102	4	1200MM X 1200MM X 100MM CUSTOM WOOD PA
R95	4	1200MM (47.24") 100MM PM4R8 SILVER "8" CHAN



1. Redesign of this exhibit without approval by manufacturer may result in dangerous and unsafe structures. Manufacturer disclaims any responsibility for redesigned exhibits it does not approve in writing.

2. Parts and components such as panels and extrusions are manufactured to metric sizing. Where ever possible sizes have been noted in feet and inches as well as in metric. Below is the imperial to metric sizing table as reference. "Nominal" refers to approximate size.

- 2400mm = (94 1/2")
  - 2100mm = (82 5/8")
  - 1800mm = (70 7/8")
  - 1500mm = (59")
  - 1200mm = (47 1/4")
  - 900mm = (35 1/2")
  - 600mm = (23 5/8")
  - 300mm = (11 7/8")
- Phone Line / Fax
  - Internet connection
  - Outlet
  - Main Drop (point of distrution)
  - Wire running under carpet

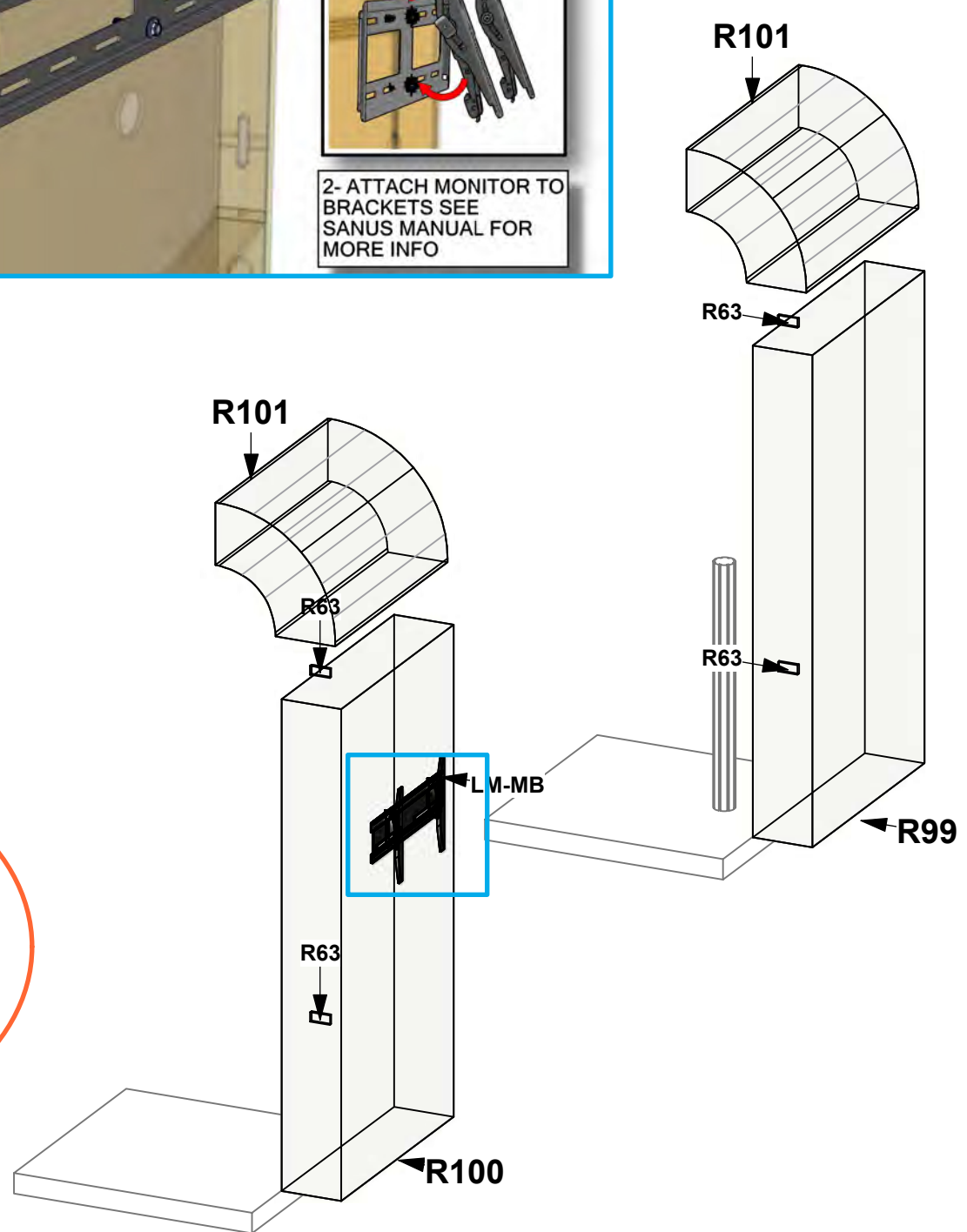
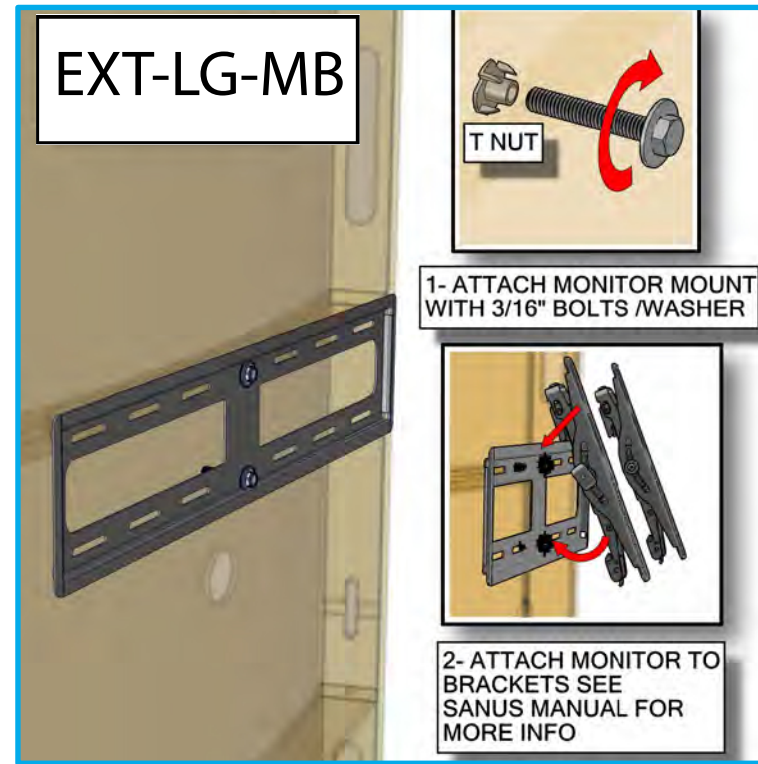
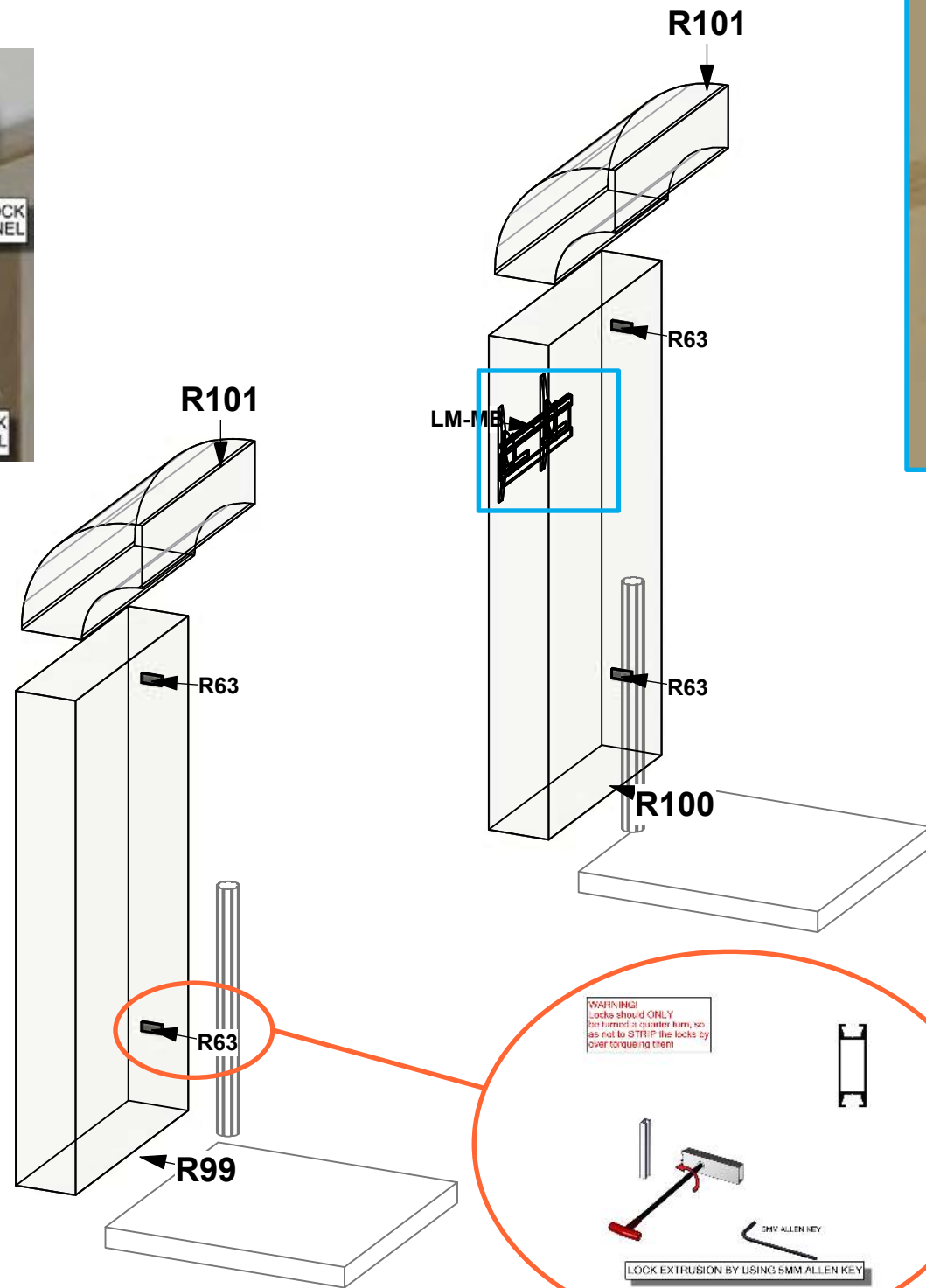
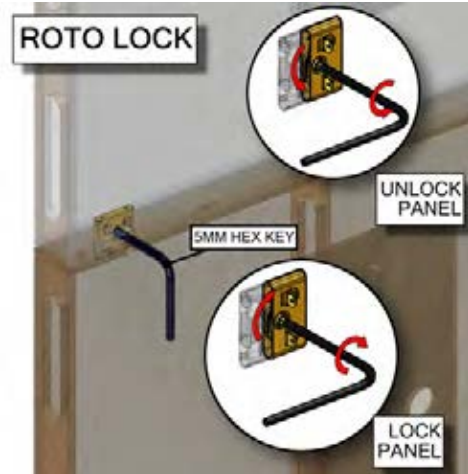


**BUILD 4 UNITS**

HYBRID PRO RENTAL KIT

Title: SET-UP INSTRUCTIONS

Code	#	Description
R100	2	2400MM X 1200MM X 300MM CUSTOM WOOD PA
R99	2	2400MM X 1200MM X 300MM CUSTOM WOOD PA
R101	4	1200MM X 600MM X 600MM CURVED WOOD PAN
EXT-LG-MB	2	LARGE MONITOR MOUNTING BRACKET FOR MO
R63	8	100MM PH WITH LOCKS BOTH ENDS

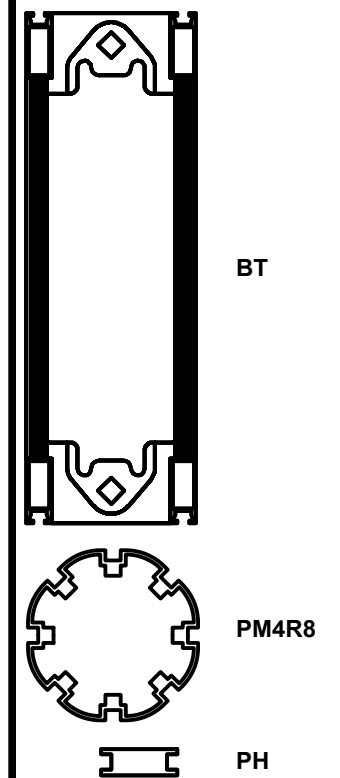


1. Redesign of this exhibit without approval by manufacturer may result in dangerous and unsafe structures. Manufacturer disclaims any responsibility for redesigned exhibits it does not approve in writing.

2. Parts and components such as panels and extrusions are manufactured to metric sizing. Where ever possible sizes have been noted in feet and inches as well as in metric. Below is the imperial to metric sizing table as reference. "Nominal" refers to approximate size.

2400mm = (94 1/2")	Phone Line / Fax
2100mm = (82 5/8")	Internet connection
1800mm = (70 7/8")	Outlet
1500mm = (59")	Main Drop (point of distrution)
1200mm = (47 1/4")	
900mm = (35 1/2")	
600mm = (23 5/8")	
300mm = (11 7/8")	

--- Wire running under carpet

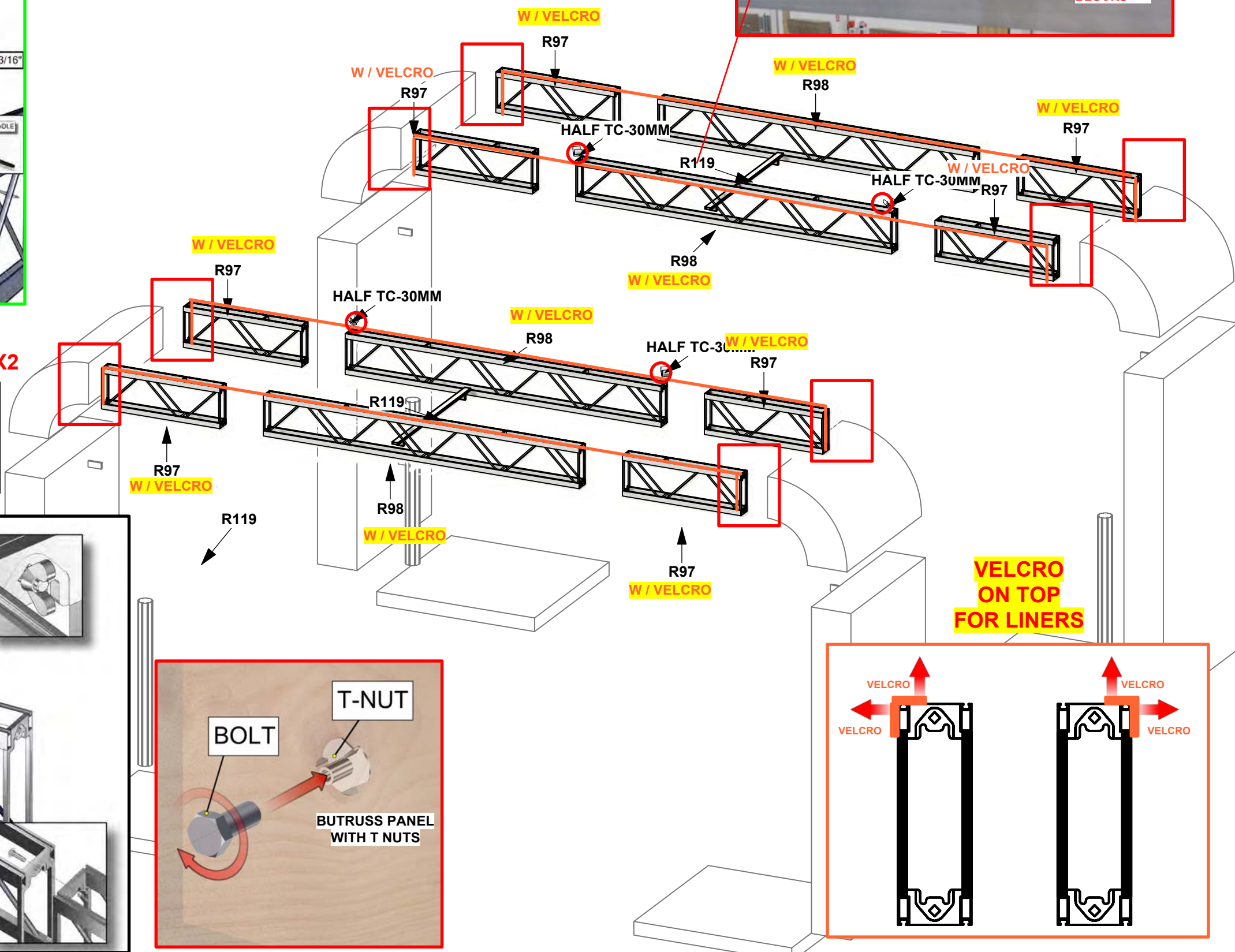
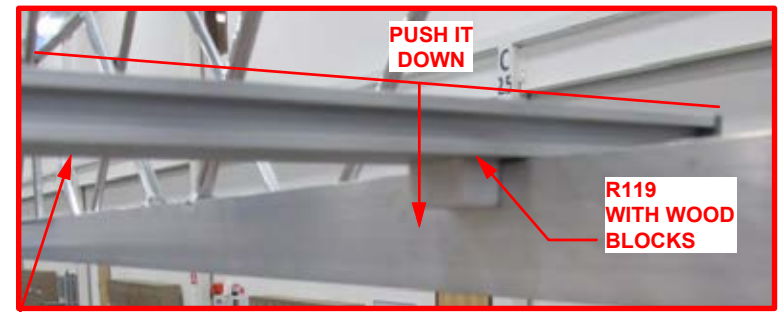
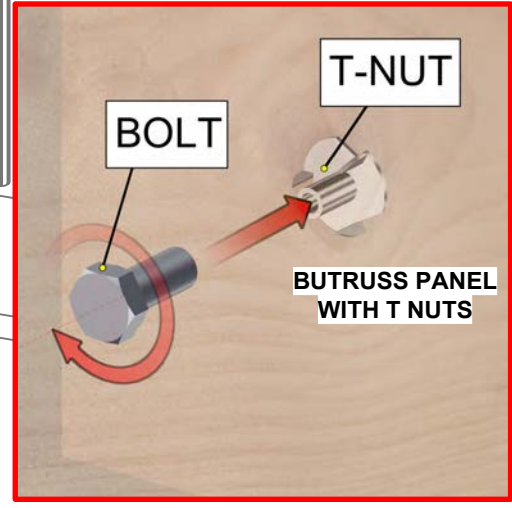
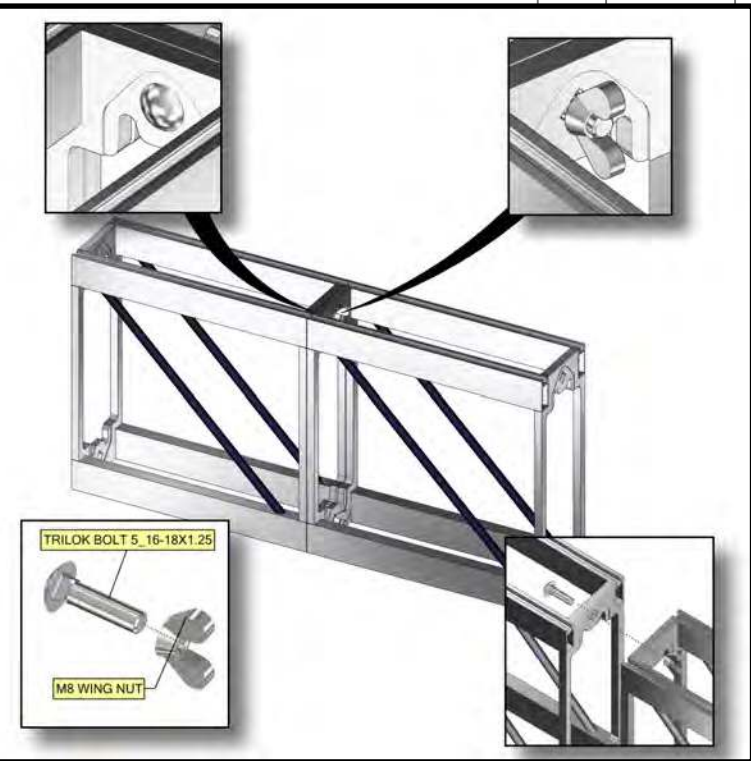
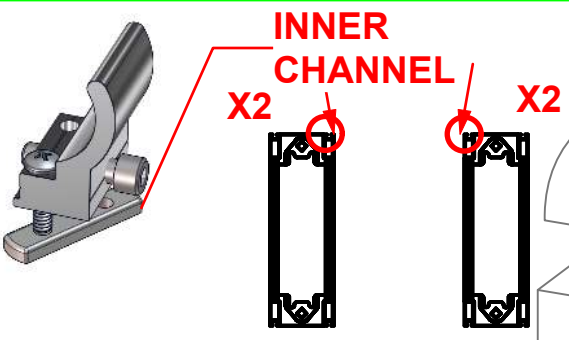
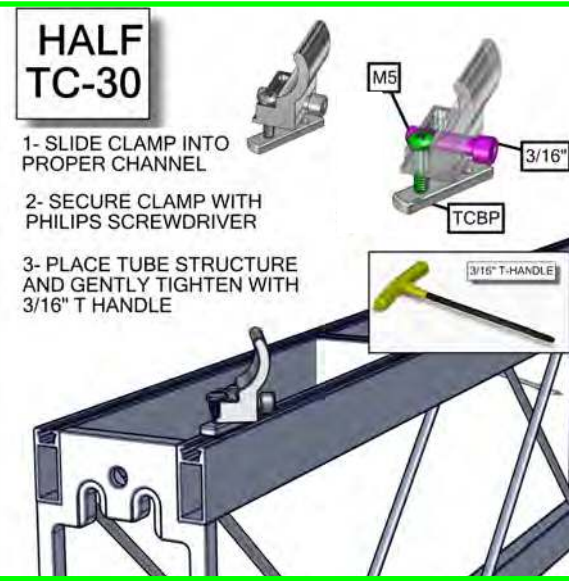


HYBRID PRO RENTAL KIT

Title: SET-UP INSTRUCTIONS



Code	#	Description
R97	8	900MM (3FT NOMINAL) MILL FINISH BOLD TRUSS
R98	4	2400MM (8FT NOMINAL) MILL FINISH BOLD TRUSS
HALF TC-30MM	4	SILVER ANODIZE FINISH 30MM TUBE CLAMP
R119	2	1170MM(46.06") PH EXTRUSION WITH(2) WOOD BLOCKS AND (4) LN605EN□□□

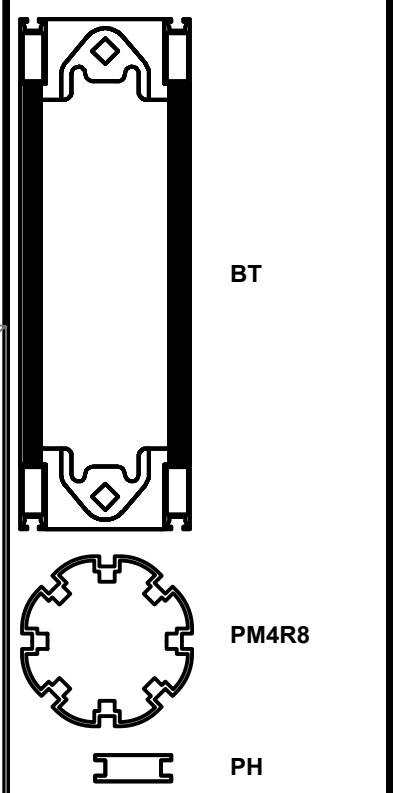


1. Redesign of this exhibit without approval by manufacturer may result in dangerous and unsafe structures. Manufacturer disclaims any responsibility for redesigned exhibits it does not approve in writing.

2. Parts and components such as panels and extrusions are manufactured to metric sizing. Where ever possible sizes have been noted in feet and inches as well as in metric. Below is the imperial to metric sizing table as reference. "Nominal" refers to approximate size.

2400mm = (94 1/2")	Phone Line / Fax
2100mm = (82 5/8")	Internet connection
1800mm = (70 7/8")	Outlet
1500mm = (59")	Main Drop (point of distrution)
1200mm = (47 1/4")	
900mm = (35 1/2")	
600mm = (23 5/8")	
300mm = (11 7/8")	

--- Wire running under carpet



HYBRID PRO RENTAL KIT

Title: SET-UP INSTRUCTIONS



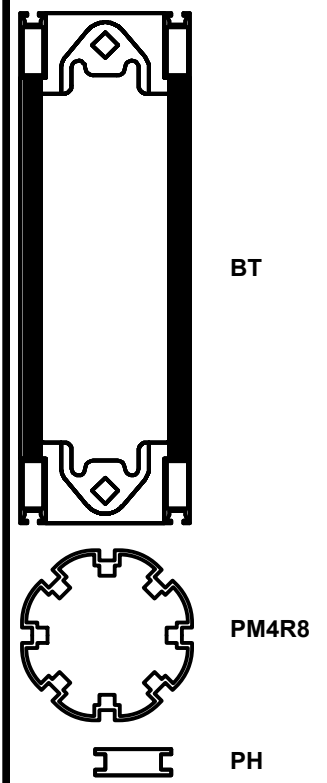
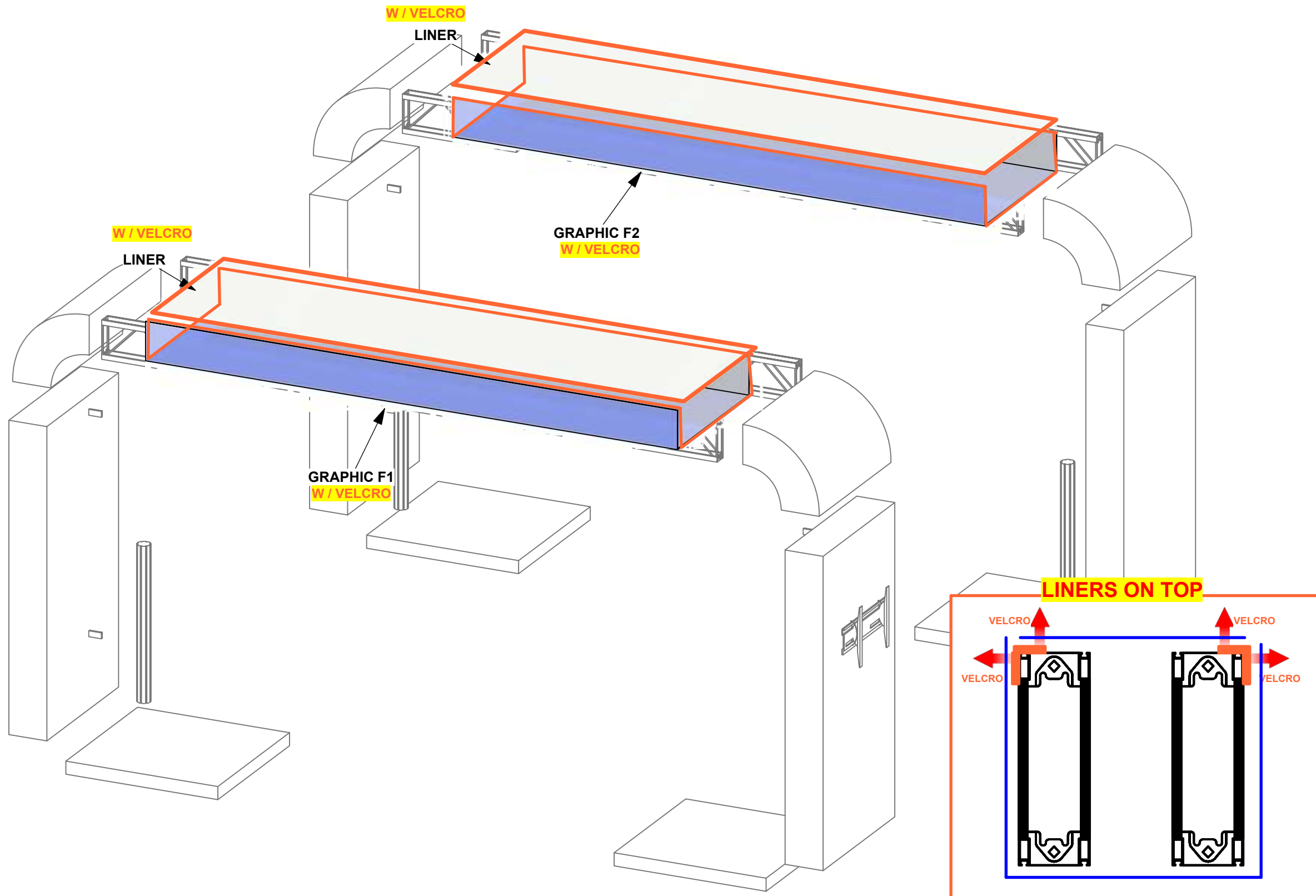
Code	#	Description
GRAPHIC F1	1	55 1/8" (H) X 165 3/8" (W) SINGLE SIDED DYESUB GRAPHIC W/ VELCRO ON BACK PERIMETER. GRAPHIC WR
GRAPHIC F2	1	55 1/8" (H) X 165 3/8" (W) SINGLE SIDED DYESUB GRAPHIC W/ VELCRO ON BACK PERIMETER. GRAPHIC WR
LINER	2	47 1/4" X 165 3/8" UNPRINTED LINER W/ VELCRO ON BACK PERIMETER. GRAPHIC WRAPS ON 3 SIDES

1. Redesign of this exhibit without approval by manufacturer may result in dangerous and unsafe structures. Manufacturer disclaims any responsibility for redesigned exhibits it does not approve in writing.

2. Parts and components such as panels and extrusions are manufactured to metric sizing. Where ever possible sizes have been noted in feet and inches as well as in metric. Below is the imperial to metric sizing table as reference. "Nominal" refers to approximate size.

2400mm = (94 1/2")	▼ Phone Line / Fax
2100mm = (82 5/8")	⚡ Internet connection
1800mm = (70 7/8")	⚡ Outlet
1500mm = (59")	⚡ Main Drop (point of distrution)
1200mm = (47 1/4")	
900mm = (35 1/2")	
600mm = (23 5/8")	
300mm = (11 7/8")	

--- Wire running under carpet



HYBRID PRO RENTAL KIT

Title: SET-UP INSTRUCTIONS

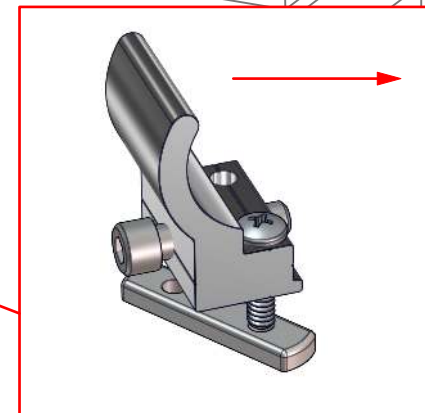
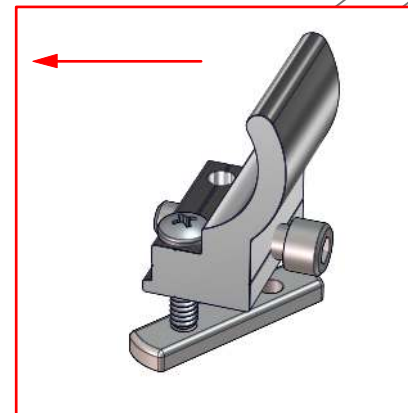
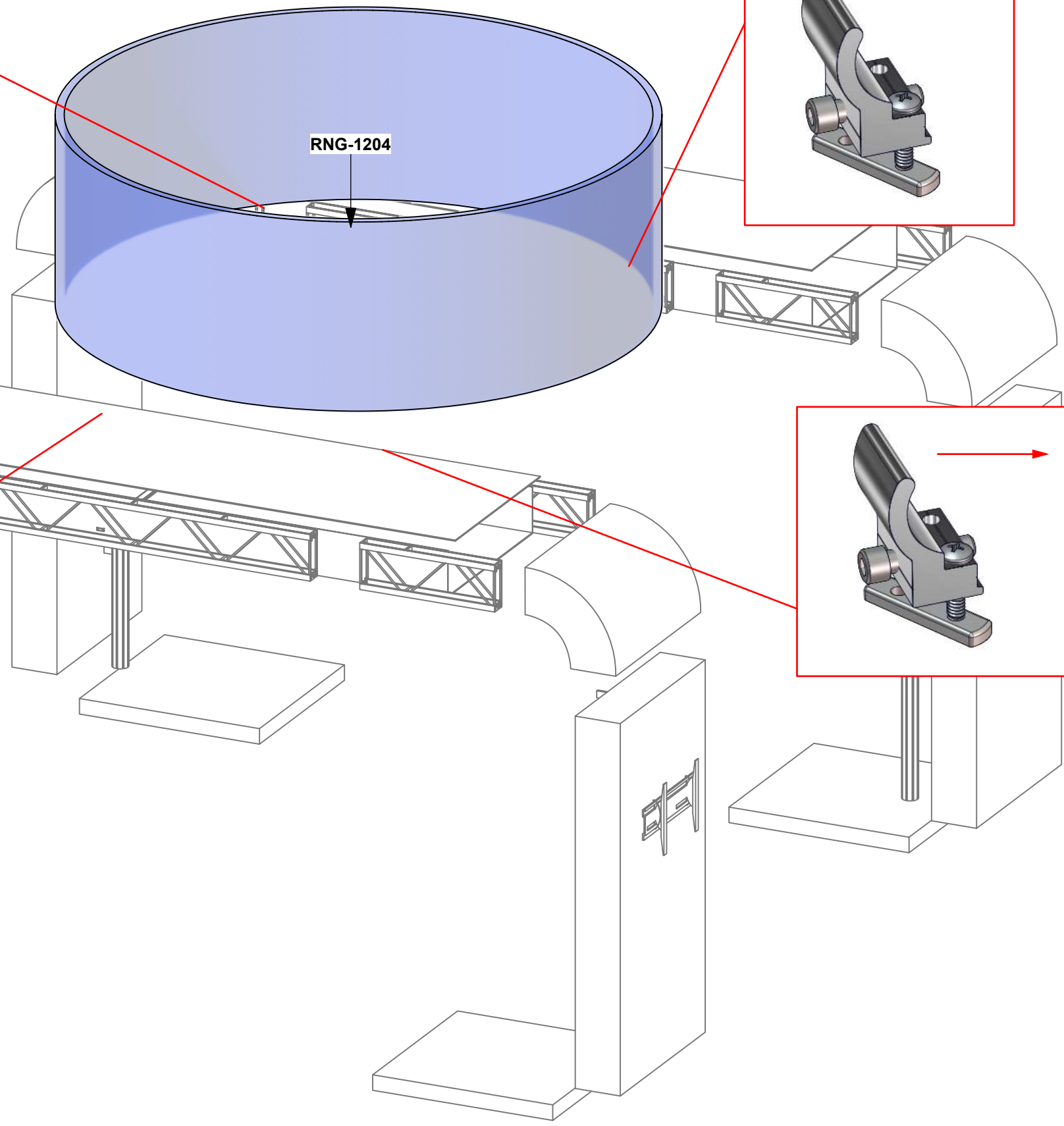
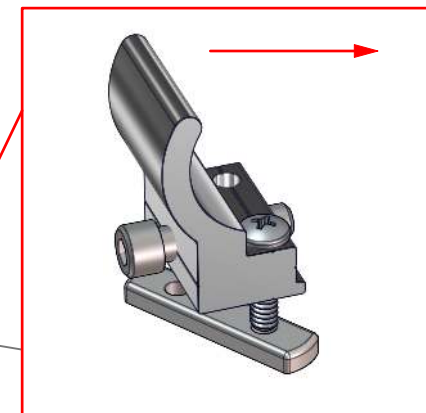
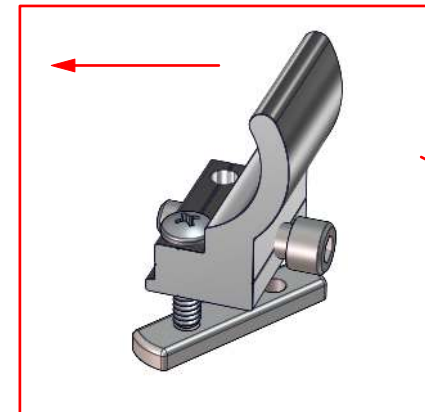
Code	#	Description
RNG-1204	1	STANDARD FABRIC STRUCTURE

1. Redesign of this exhibit without approval by manufacturer may result in dangerous and unsafe structures. Manufacturer disclaims any responsibility for redesigned exhibits it does not approve in writing.

2. Parts and components such as panels and extrusions are manufactured to metric sizing. Where ever possible sizes have been noted in feet and inches as well as in metric. Below is the imperial to metric sizing table as reference. "Nominal" refers to approximate size.

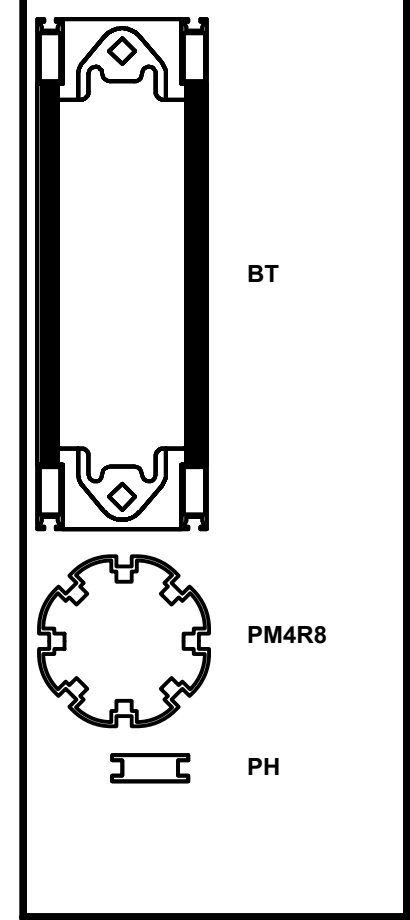
2400mm = (94 1/2")	☒ Phone Line / Fax
2100mm = (82 5/8")	☒ Internet connection
1800mm = (70 7/8")	☒ Outlet
1500mm = (59")	☒ Main Drop (point of distrution)
1200mm = (47 1/4")	
900mm = (35 1/2")	
600mm = (23 5/8")	
300mm = (11 7/8")	

--- Wire running under carpet



**HALF TC-30**

- 1- SLIDE CLAMP INTO PROPER CHANNEL
- 2- SECURE CLAMP WITH PHILIPS SCREWDRIVER
- 3- PLACE TUBE STRUCTURE AND GENTLY TIGHTEN WITH 3/16" T-HANDLE



**HYBRID PRO RENTAL KIT**

Title: SET-UP INSTRUCTIONS

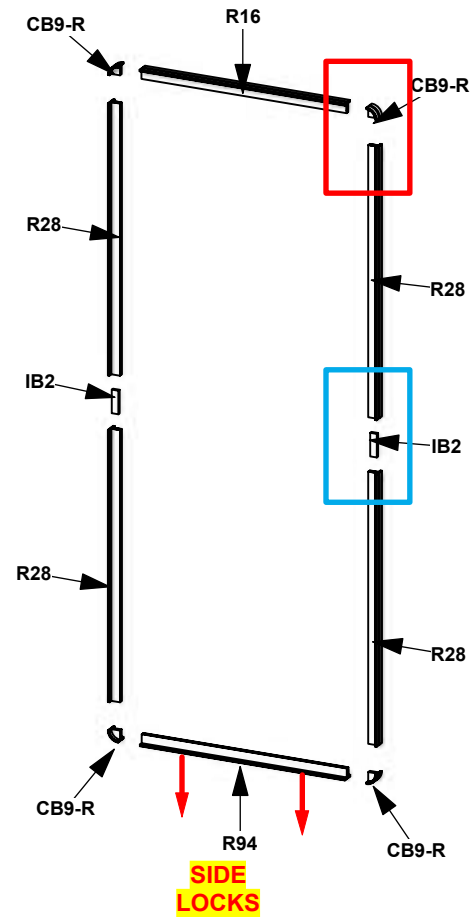
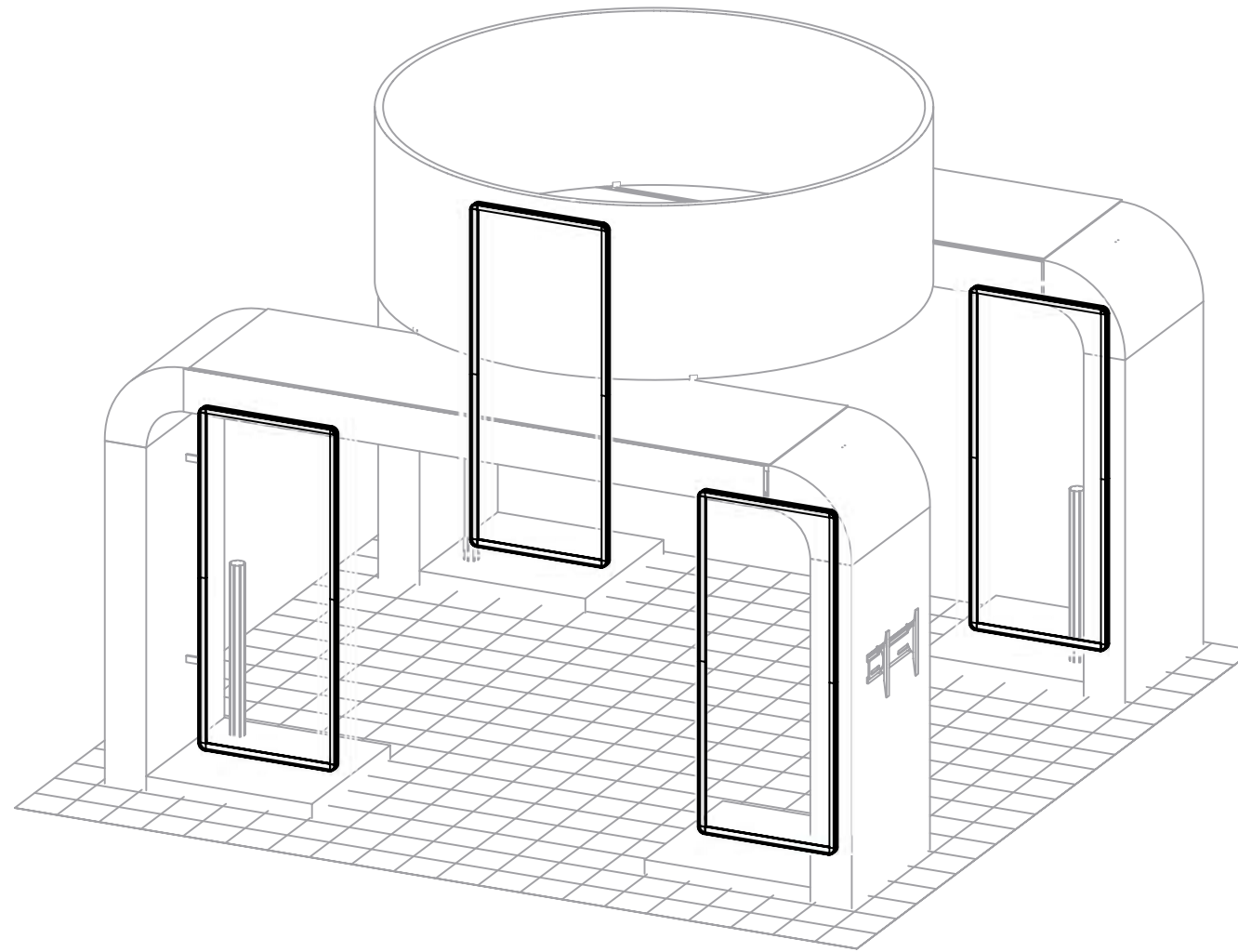
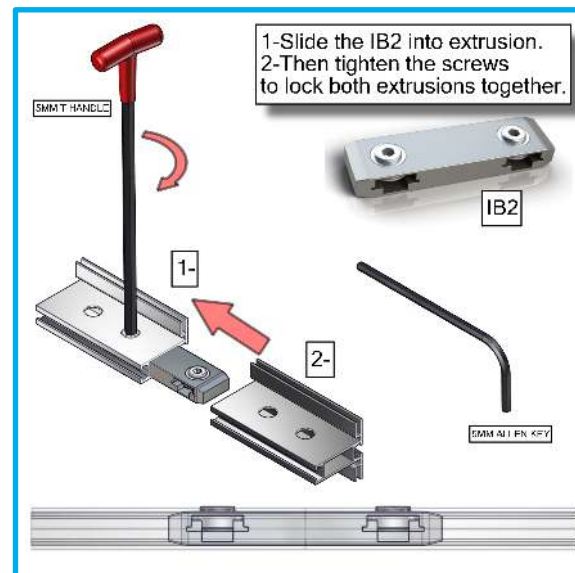
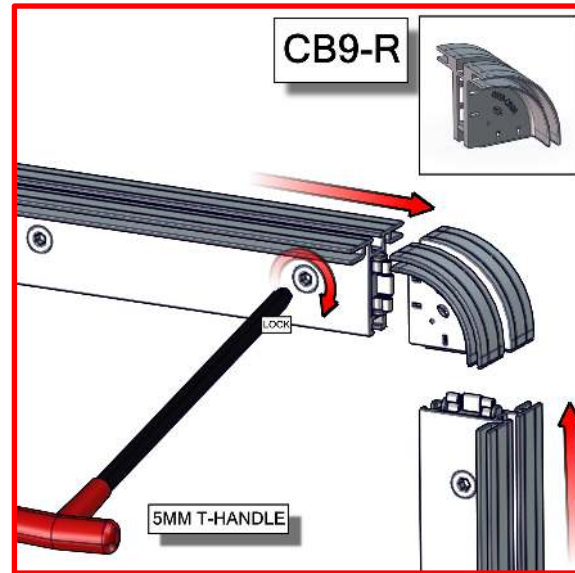
Code	#	Description
R16	4	900MM (35.43") PHFC2 EXTRUSION WITH LOCKS
IB2	8	PH INLINE CONNECTOR
CB9-R	16	50MM ROUND PHFC2 CORNER BRACKET
R28	16	1155MM (45.47") PHFC2 EXTRUSION WITH IB2 HOLES
R94	4	900MM (35.43") PHFC2 EXTRUSION WITH LOCKS

1. Redesign of this exhibit without approval by manufacturer may result in dangerous and unsafe structures. Manufacturer disclaims any responsibility for redesigned exhibits it does not approve in writing.

2. Parts and components such as panels and extrusions are manufactured to metric sizing. Where ever possible sizes have been noted in feet and inches as well as in metric. Below is the imperial to metric sizing table as reference. "Nominal" refers to approximate size.

2400mm = (94 1/2")	Phone Line / Fax
2100mm = (82 5/8")	Internet connection
1800mm = (70 7/8")	Outlet
1500mm = (59")	Main Drop (point of distrution)
1200mm = (47 1/4")	
900mm = (35 1/2")	
600mm = (23 5/8")	
300mm = (11 7/8")	

--- Wire running under carpet

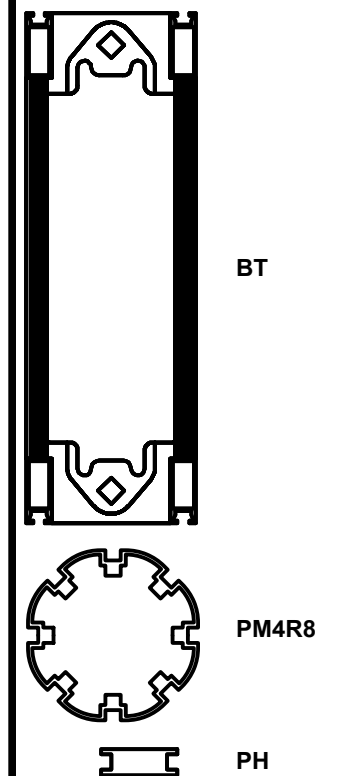
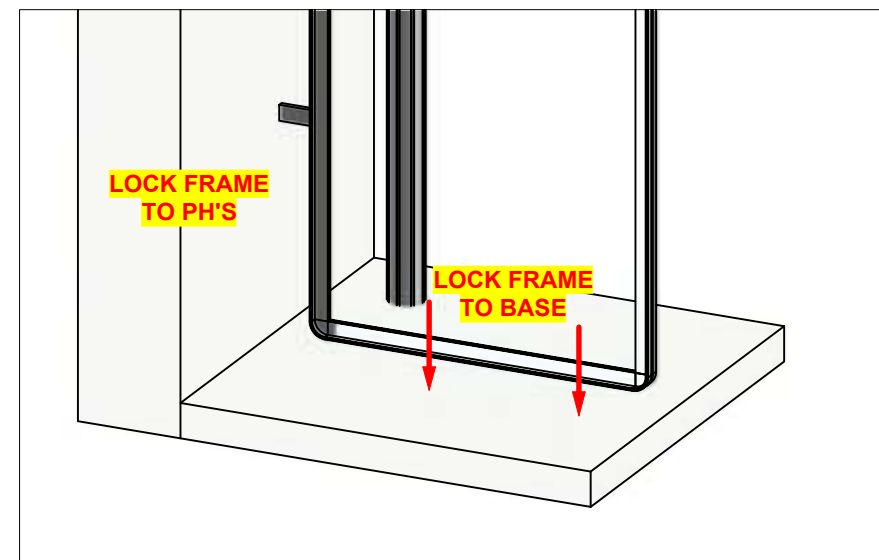


**LOCK FRAME TO BASE**



**LOCK FRAME TO PH'S**

**LOCK FRAME TO BASE**



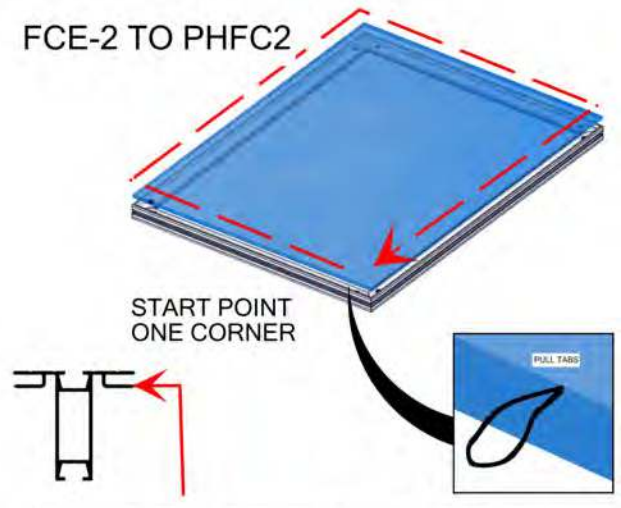
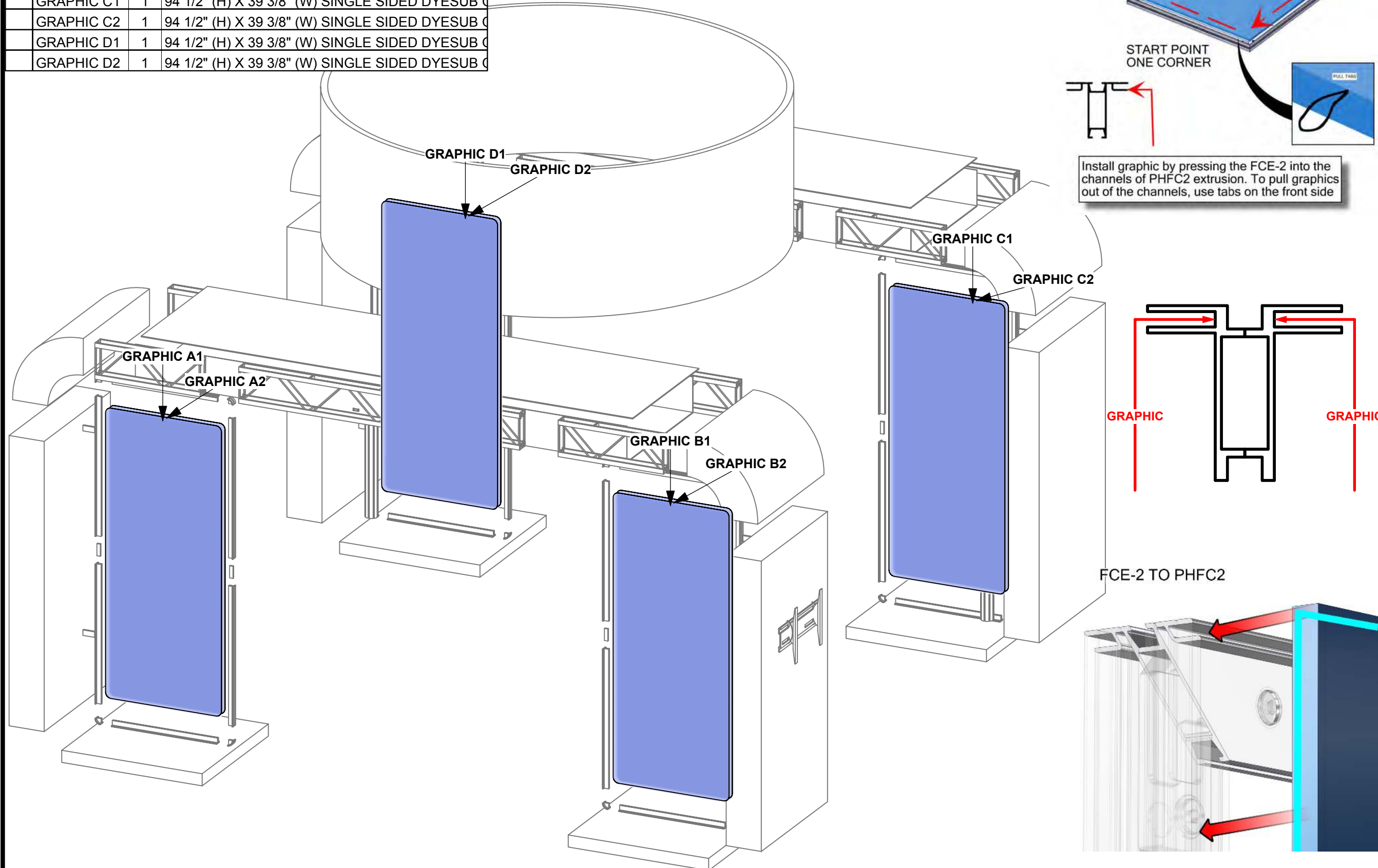
**HYBRID PRO RENTAL KIT**

Title: SET-UP INSTRUCTIONS

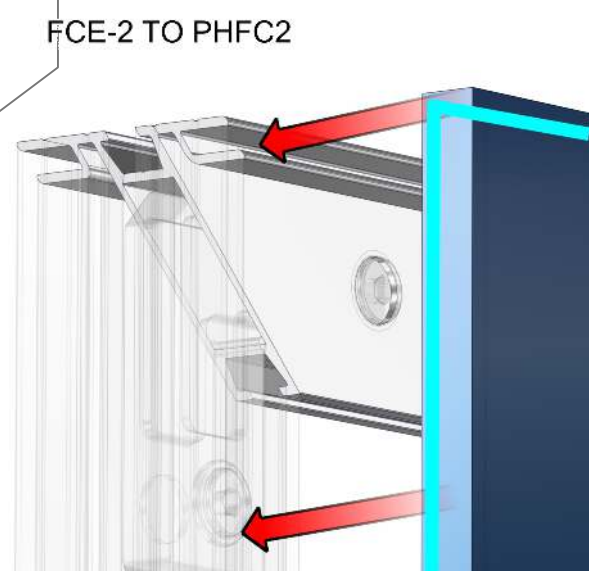
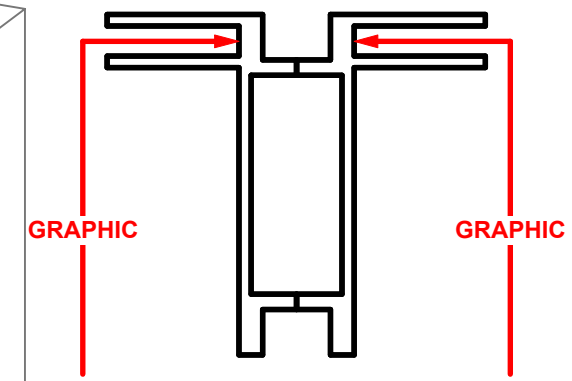
**BUILD 4 UNITS AND LOCK THEM IN PLACE**



Code	#	Description
GRAPHIC B2	1	94 1/2" (H) X 39 3/8" (W) SINGLE SIDED DYESUB C
GRAPHIC B1	1	94 1/2" (H) X 39 3/8" (W) SINGLE SIDED DYESUB C
GRAPHIC A2	1	94 1/2" (H) X 39 3/8" (W) SINGLE SIDED DYESUB C
GRAPHIC A1	1	94 1/2" (H) X 39 3/8" (W) SINGLE SIDED DYESUB C
GRAPHIC C1	1	94 1/2" (H) X 39 3/8" (W) SINGLE SIDED DYESUB C
GRAPHIC C2	1	94 1/2" (H) X 39 3/8" (W) SINGLE SIDED DYESUB C
GRAPHIC D1	1	94 1/2" (H) X 39 3/8" (W) SINGLE SIDED DYESUB C
GRAPHIC D2	1	94 1/2" (H) X 39 3/8" (W) SINGLE SIDED DYESUB C



Install graphic by pressing the FCE-2 into the channels of PHFC2 extrusion. To pull graphics out of the channels, use tabs on the front side

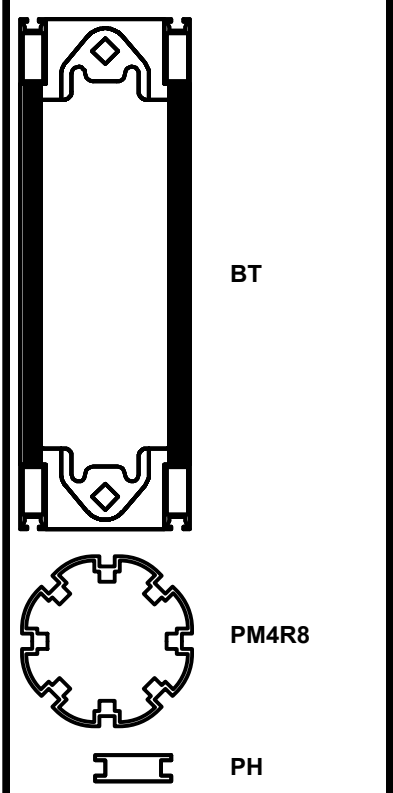


1. Redesign of this exhibit without approval by manufacturer may result in dangerous and unsafe structures. Manufacturer disclaims any responsibility for redesigned exhibits it does not approve in writing.

2. Parts and components such as panels and extrusions are manufactured to metric sizing. Where ever possible sizes have been noted in feet and inches as well as in metric. Below is the imperial to metric sizing table as reference. "Nominal" refers to approximate size.

2400mm = (94 1/2")	☒ Phone Line / Fax
2100mm = (82 5/8")	☒ Internet connection
1800mm = (70 7/8")	☒ Outlet
1500mm = (59")	☒ Main Drop (point of distrution)
1200mm = (47 1/4")	
900mm = (35 1/2")	
600mm = (23 5/8")	
300mm = (11 7/8")	

--- Wire running under carpet



**HYBRID PRO RENTAL KIT**

Title: SET-UP INSTRUCTIONS

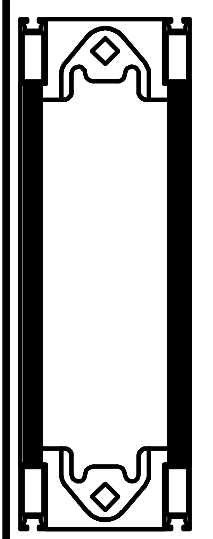
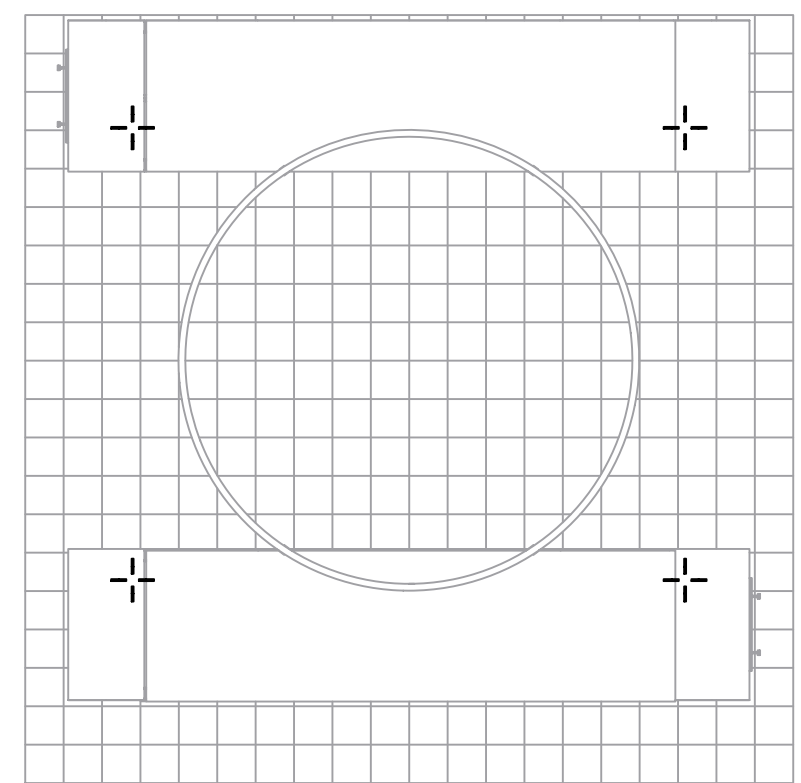
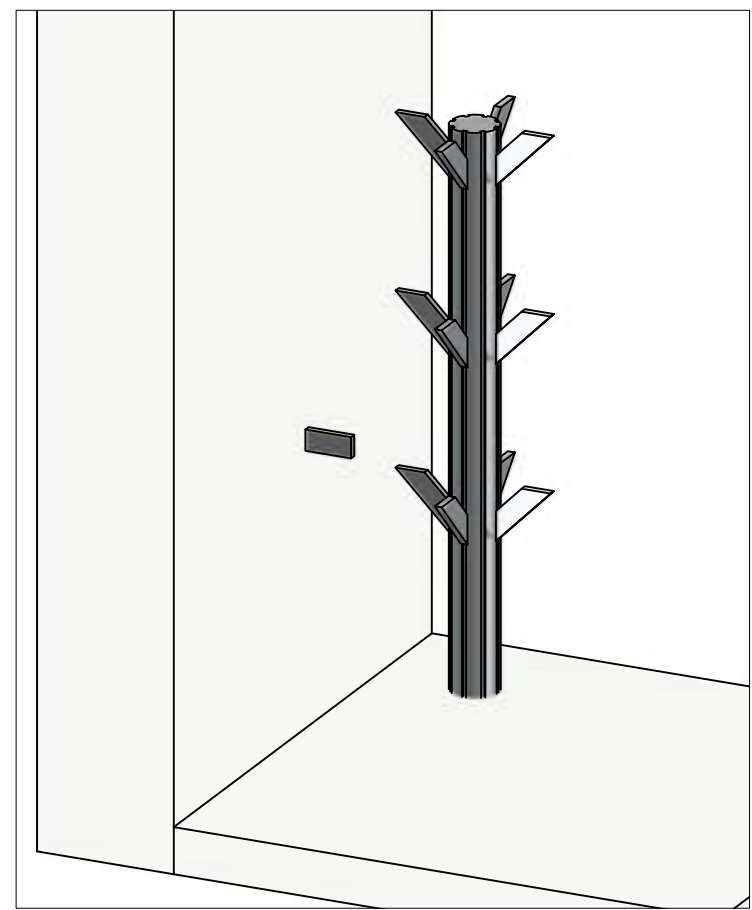
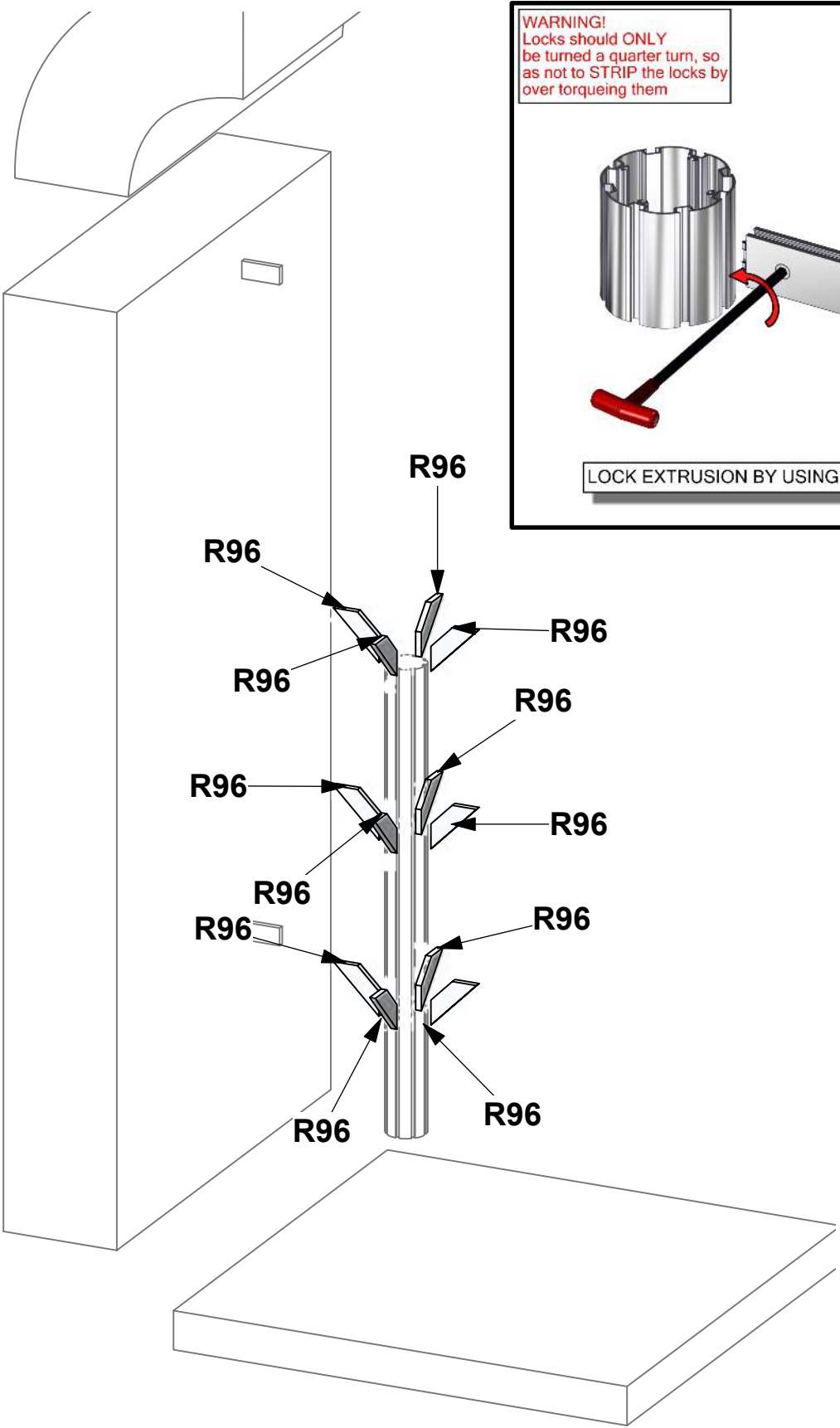
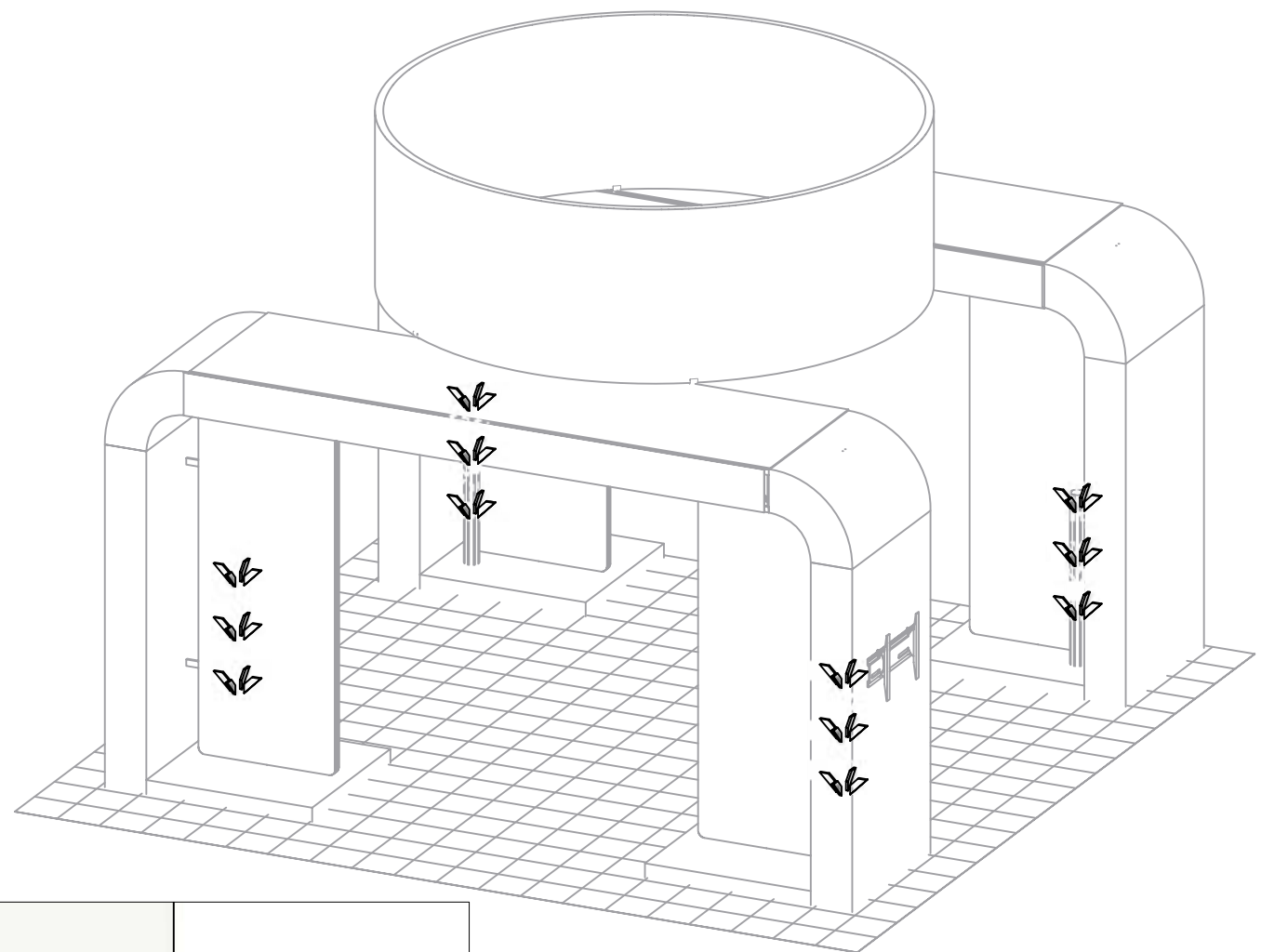


Code	#	Description
R96	48	170MM (6.69") PH GUSSET EXTRUSION MITER CUT

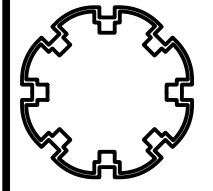
1. Redesign of this exhibit without approval by manufacturer may result in dangerous and unsafe structures. Manufacturer disclaims any responsibility for redesigned exhibits it does not approve in writing.

2. Parts and components such as panels and extrusions are manufactured to metric sizing. Where ever possible sizes have been noted in feet and inches as well as in metric. Below is the imperial to metric sizing table as reference. "Nominal" refers to approximate size.

- 2400mm = (94 1/2")
  - 2100mm = (82 5/8")
  - 1800mm = (70 7/8")
  - 1500mm = (59")
  - 1200mm = (47 1/4")
  - 900mm = (35 1/2")
  - 600mm = (23 5/8")
  - 300mm = (11 7/8")
- Phone Line / Fax
  - Internet connection
  - Outlet
  - Main Drop (point of distrution)
  - Wire running under carpet



BT



PM4R8



PH

HYBRID PRO RENTAL KIT

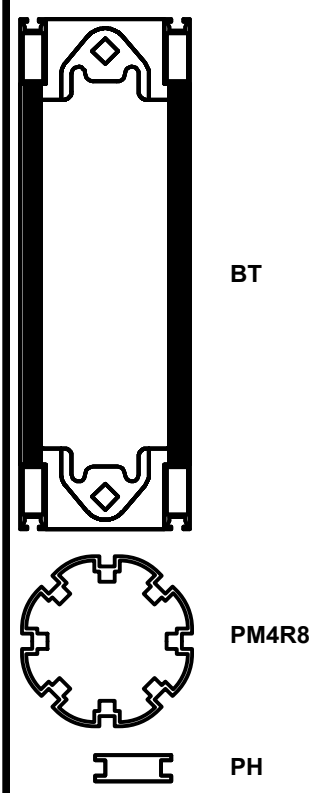
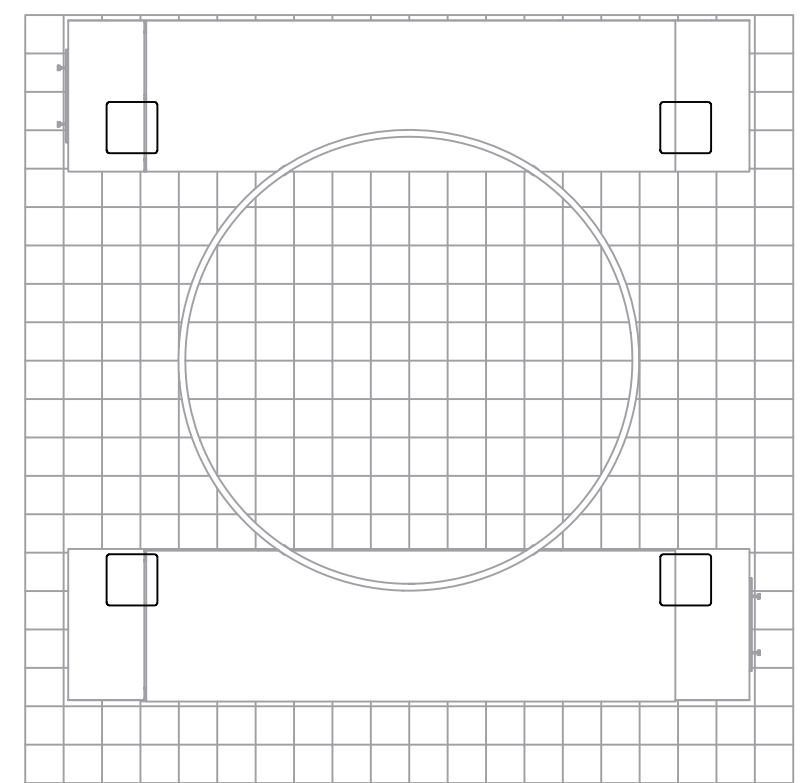
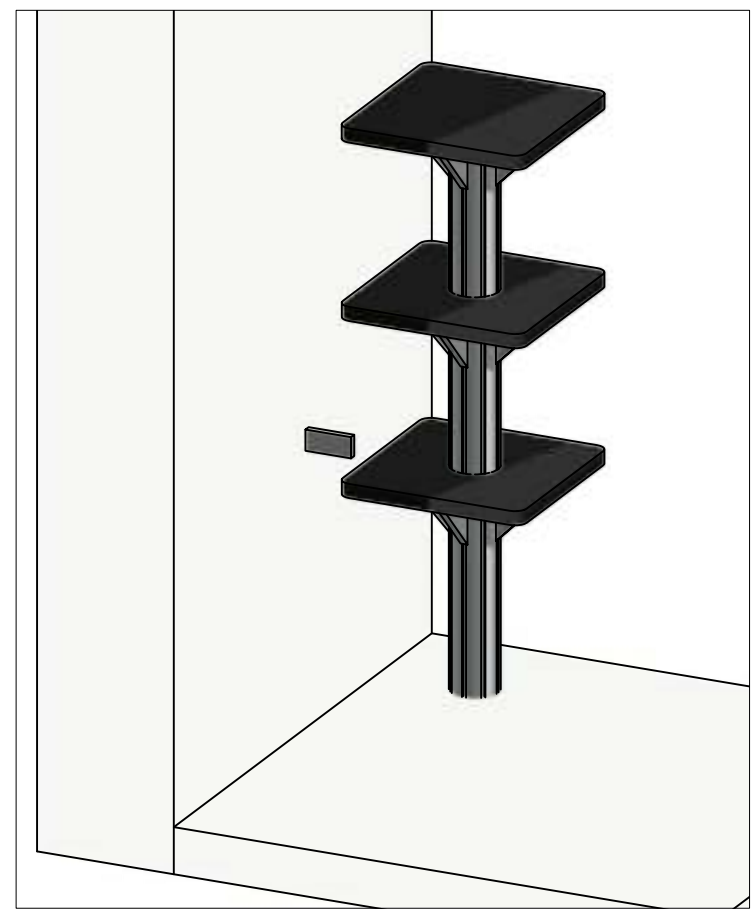
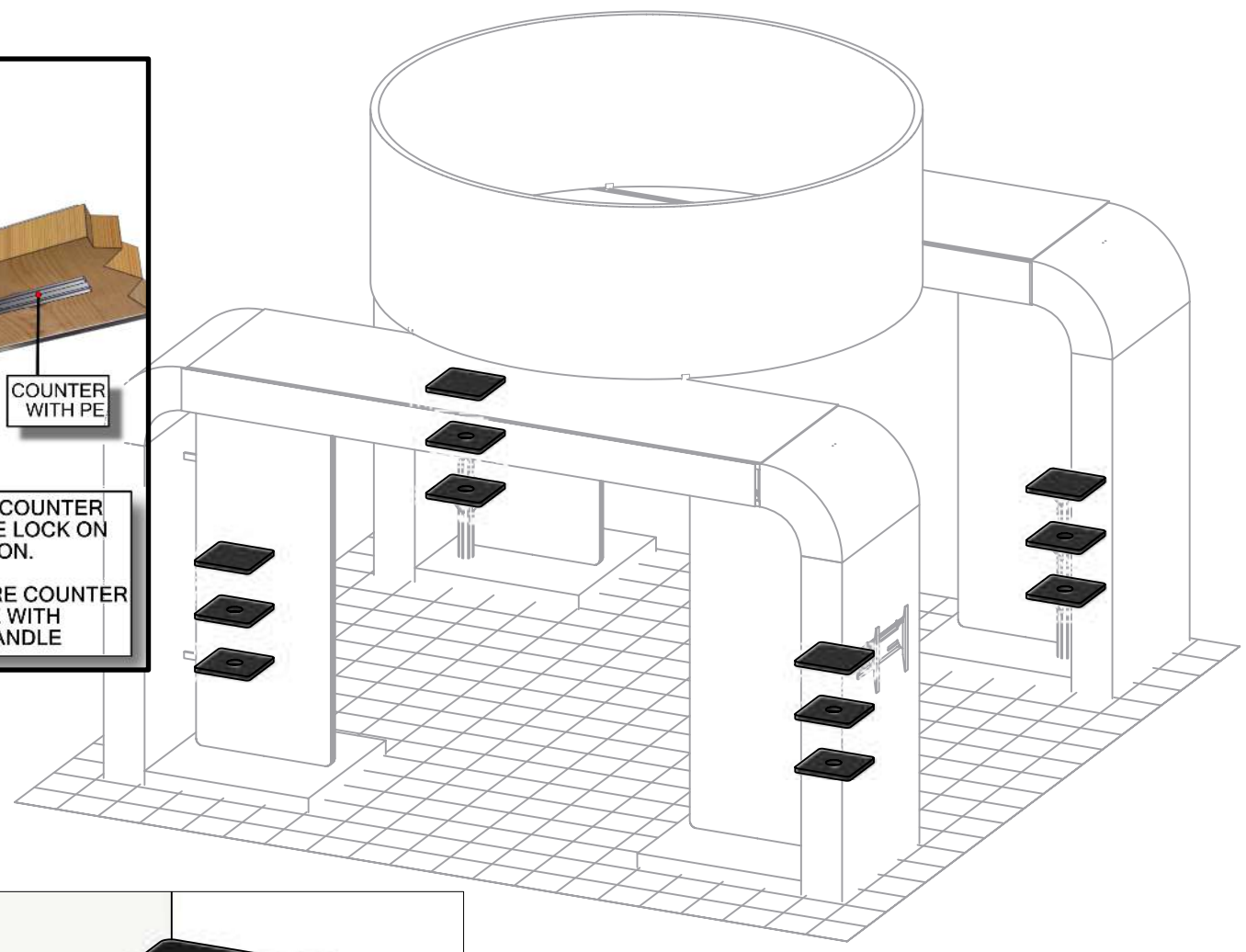
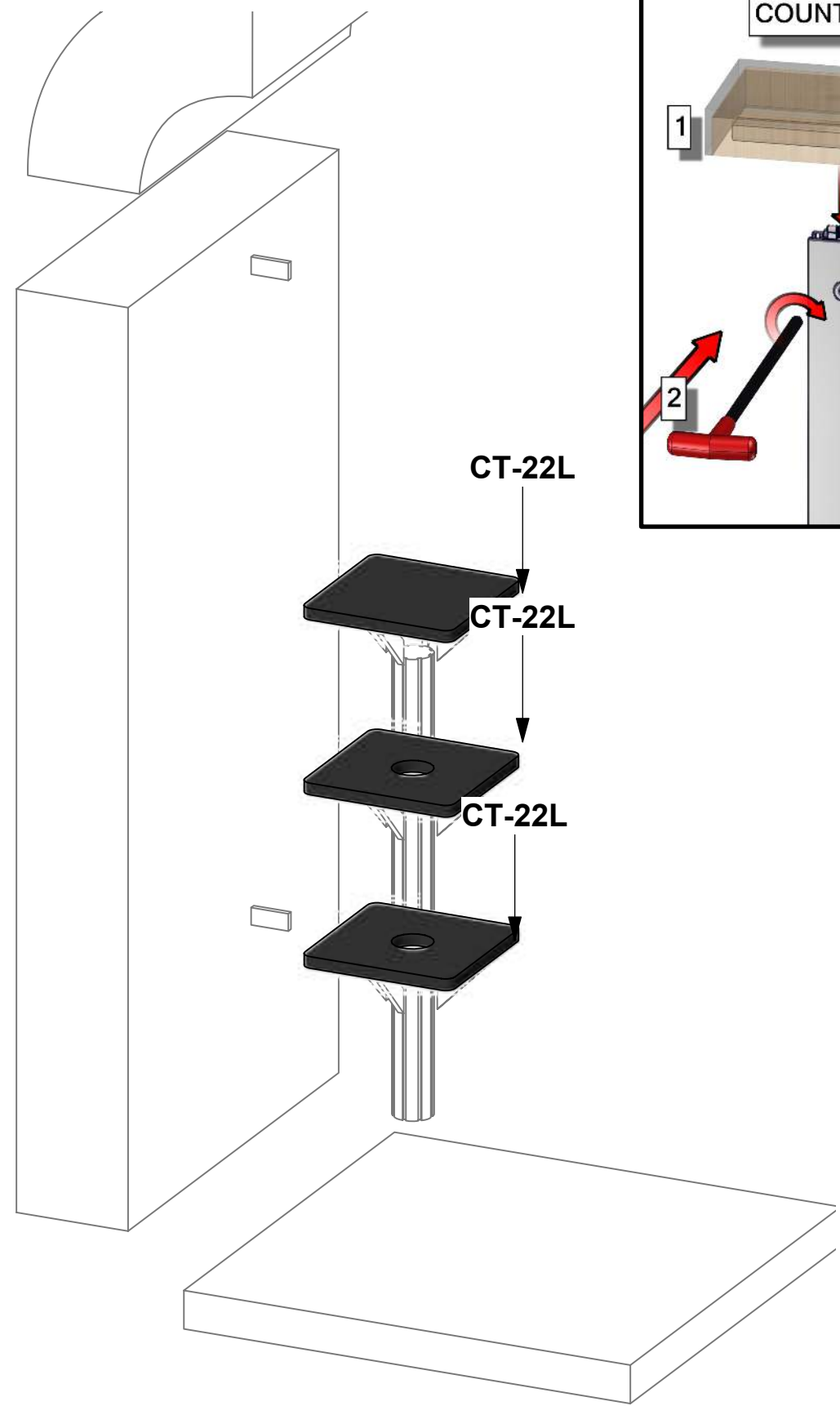
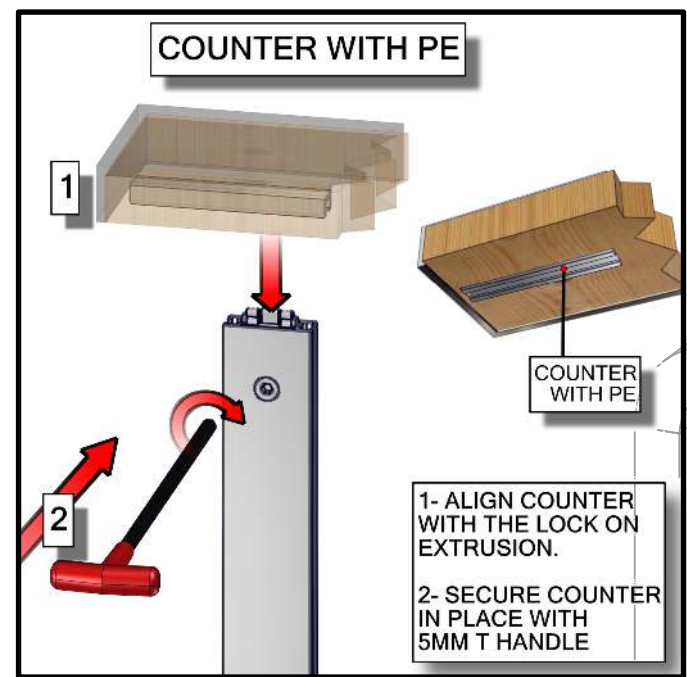
Title: SET-UP INSTRUCTIONS

Code	#	Description
CT-22L	4	406MM X 406MM X 30MM LAMINATE COUNTER T
CT-22L	8	406MM X 406MM X 30MM LAMINATE COUNTER T

1. Redesign of this exhibit without approval by manufacturer may result in dangerous and unsafe structures. Manufacturer disclaims any responsibility for redesigned exhibits it does not approve in writing.

2. Parts and components such as panels and extrusions are manufactured to metric sizing. Where ever possible sizes have been noted in feet and inches as well as in metric. Below is the imperial to metric sizing table as reference. "Nominal" refers to approximate size.

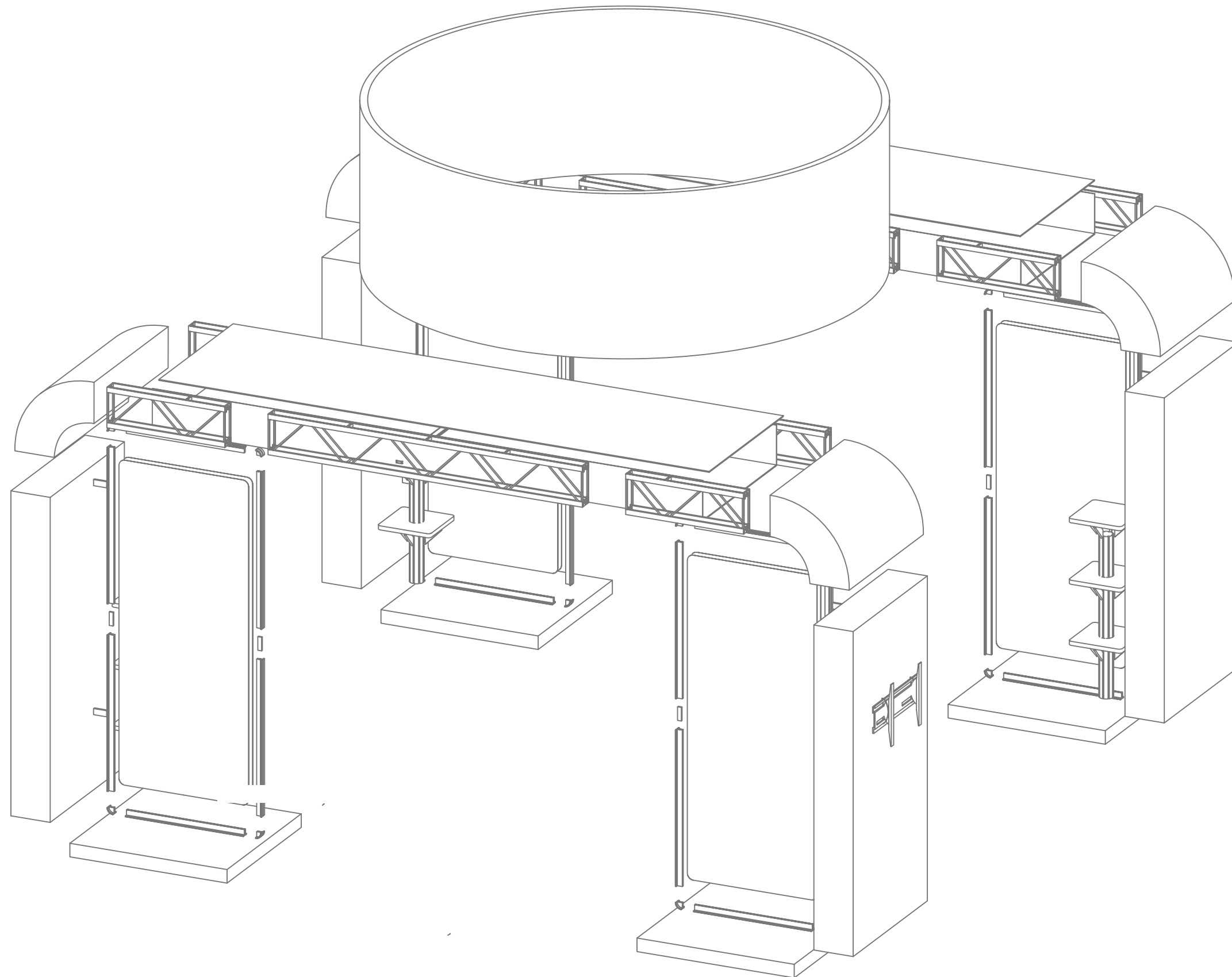
- 2400mm = (94 1/2")
  - 2100mm = (82 5/8")
  - 1800mm = (70 7/8")
  - 1500mm = (59")
  - 1200mm = (47 1/4")
  - 900mm = (35 1/2")
  - 600mm = (23 5/8")
  - 300mm = (11 7/8")
- Phone Line / Fax
  - Internet connection
  - Outlet
  - Main Drop (point of distrution)
- Wire running under carpet



**HYBRID PRO RENTAL KIT**

Title: SET-UP INSTRUCTIONS

Code	#	Description
R-REC-42	1	40" (V) X 23" X 47" CUSTOM COUNTER WITH FRO
GRAPHIC E	1	32 5/16" (H) X 39 3/8" (W) BACKLIT DSG GRAPHIC
FL421	3	21" FLUORESCENT SINGLE BULB LIGHT

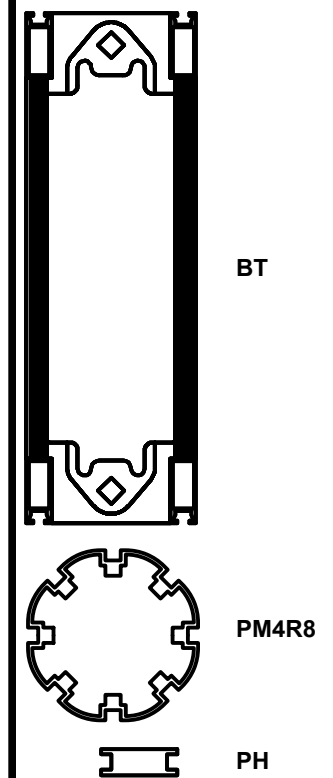


1. Redesign of this exhibit without approval by manufacturer may result in dangerous and unsafe structures. Manufacturer disclaims any responsibility for redesigned exhibits it does not approve in writing.

2. Parts and components such as panels and extrusions are manufactured to metric sizing. Where ever possible sizes have been noted in feet and inches as well as in metric. Below is the imperial to metric sizing table as reference. "Nominal" refers to approximate size.

2400mm = (94 1/2")	☒ Phone Line / Fax
2100mm = (82 5/8")	☒ Internet connection
1800mm = (70 7/8")	☒ Outlet
1500mm = (59")	☒ Main Drop (point of distrution)
1200mm = (47 1/4")	
900mm = (35 1/2")	
600mm = (23 5/8")	
300mm = (11 7/8")	

--- Wire running under carpet

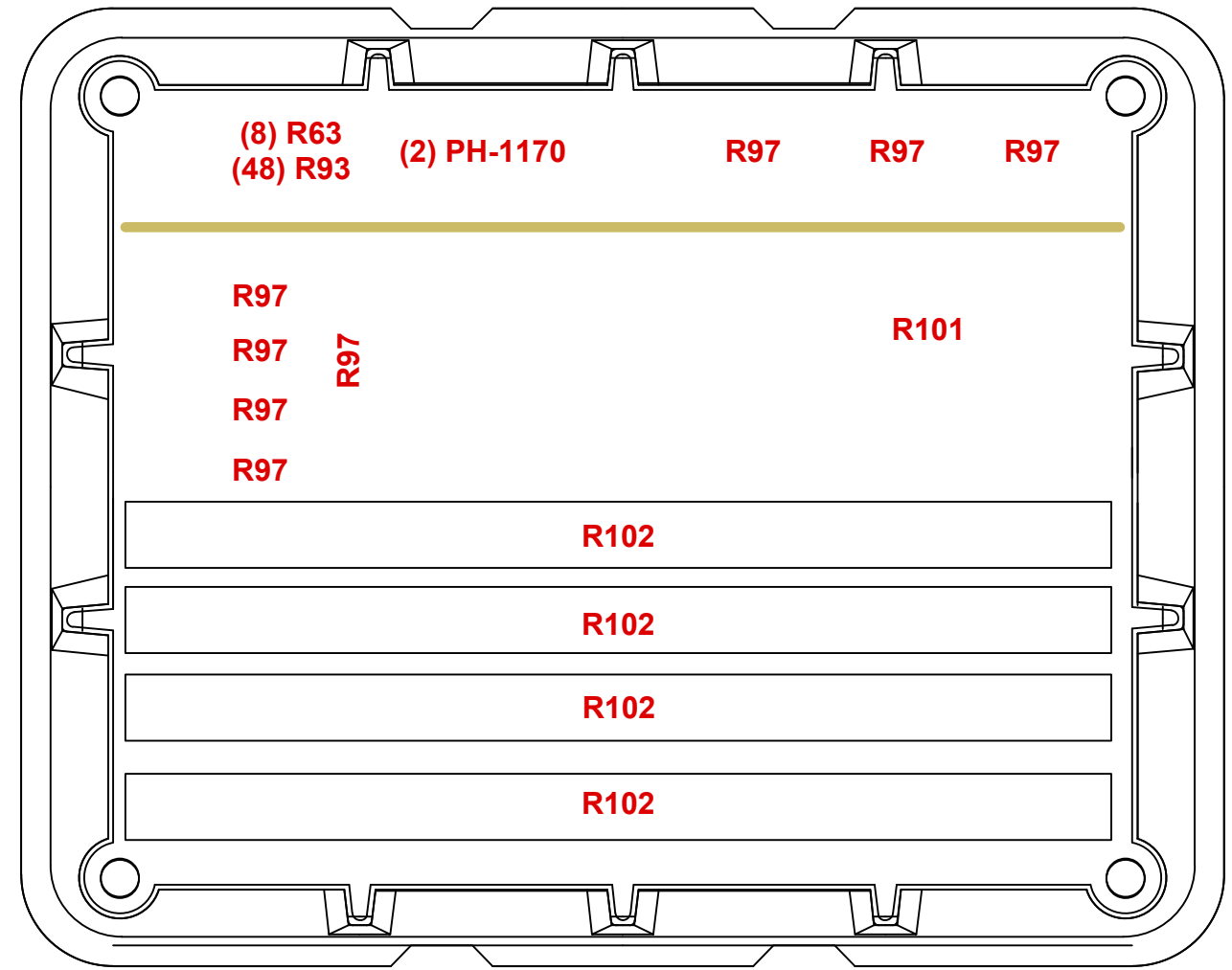


**HYBRID PRO RENTAL KIT**

Title: SET-UP INSTRUCTIONS

# **PACKING INSTRUCTIONS**





# CASE # 1

LEGEND		
	GREY FOAM FOLDED TO FILL EMPTY SPACES OR USED AS PROTECTION	
	1/8" CARDBOARD SPACER (PUT IN BETWEEN EVERY PANEL)	
	DIVIDER	
	1/4" WHITE FOAM (USED AS PROTECTION DOOR PANELS W/ LOCKS)	

INTERNAL DIMS 49"L X 38.5"W X 51"H

EXTERNAL DIMS 59"L X 48"W X 57"H

**NCRATE**







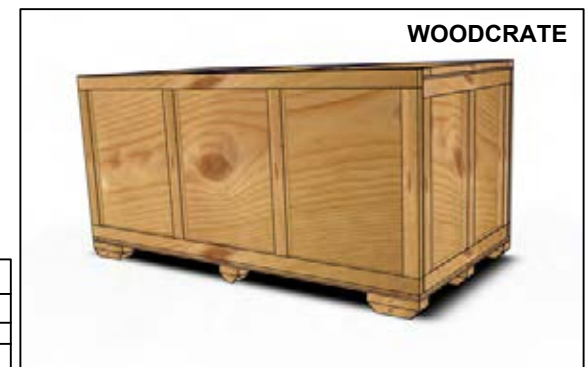
**3** (3) R101, (4) R95

**2** (1) R100

**1** (1) R99

## CASE # 2

LEGEND	
	GREY FOAM FOLDED TO FILL EMPTY SPACES OR USED AS PROTECTION
	1/8" CARDBOARD SPACER (PUT IN BETWEEN EVERY PANEL)
	DIVIDER
	1/4" WHITE FOAM (USED AS PROTECTION DOOR PANELS W/ LOCKS)





- 8** (12) DYESUB GRAPHICS
- 7** (1) FRAME, (4) CT-22L
- 6** (1) FRAME, (4) CT-22L
- 5** (1) FRAME, (4) CT-22L
- 4** (1) FRAME, (4) CT-22L
- 3** (4) R98
- 2** (1) R100
- 1** (1) R99

# CASE # 3

<b>LEGEND</b>		GREY FOAM FOLDED TO FILL EMPTY SPACES OR USED AS PROTECTION
		1/8" CARDBOARD SPACER (PUT IN BETWEEN EVERY PANEL)
		DIVIDER
		1/4" WHITE FOAM (USED AS PROTECTION DOOR PANELS W/ LOCKS)







**1** (1) RING STRUCTURE, (1) PILLOWCASE GRAPHIC

# OCE CASE

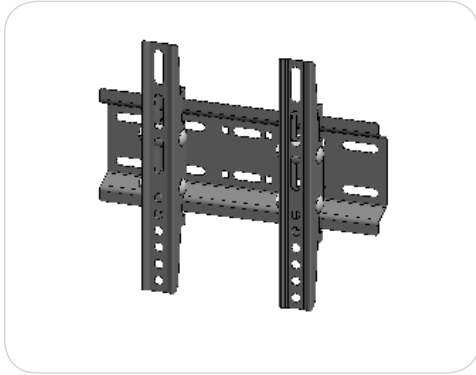
LEGEND		
	GREY FOAM FOLDED TO FILL EMPTY SPACES OR USED AS PROTECTION	
	1/8" CARDBOARD SPACER (PUT IN BETWEEN EVERY PANEL)	
	DIVIDER	
	1/4" WHITE FOAM (USED AS PROTECTION DOOR PANELS W/ LOCKS)	





# Monitor Bracket Instructions

## Extrusion Channel Applications



### EXT-SM-MB

Vesa Pattern: 75 x 75  
up to 200 x 200mm

Max weight varies per application

**Assembled unit:**

10" w x 8.86" h x 2" d  
255mm (w) x 225mm (h) x 50mm (d)

**Shipping dimensions:**

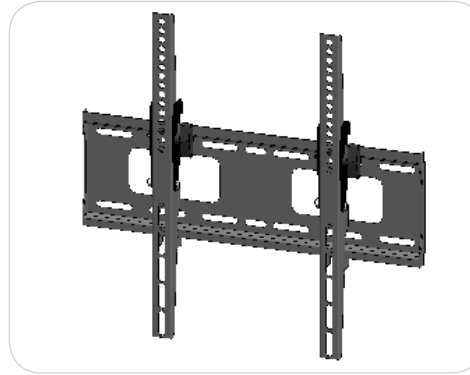
14" l x 6" h x 4" d  
356mm (l) x 152mm (h) x 102mm (d)

**Approximate total shipping weight:**

6 lbs / 3 kg

**Recommended monitor sizes:**

23" - 42"



### EXT-M-MB

Vesa Pattern: 200 x 200  
up to 400 x 400mm

Max weight varies per application

**Assembled unit:**

17.6" w x 16.7" h x 1.6" d  
448mm (w) x 425mm (h) x 40mm (d)

**Shipping dimensions:**

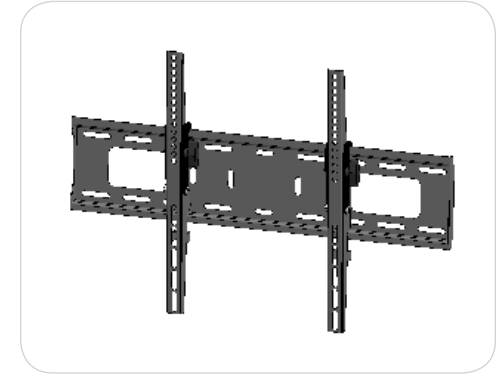
24" l x 4" h x 4" d  
610mm (l) x 102mm (h) x 102mm (d)

**Approximate total shipping weight:**

8 lbs / 4 kg

**Recommended monitor sizes:**

32" - 55"



### EXT-LG-MB

Vesa Pattern: 200 x 200  
up to 600 x 400mm

Max weight varies per application

**Assembled unit:**

25.9" w x 16.7" h x 1.6" d  
658mm (w) x 425mm (h) x 40mm (d)

**Shipping dimensions:**

28" l x 6" h x 6" d  
711mm (l) x 152mm (h) x 152mm (d)

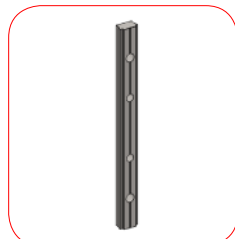
**Approximate total shipping weight:**

9 lbs / 5 kg

**Recommended monitor sizes:**

37" - 70"

## Included hardware:



LN-100

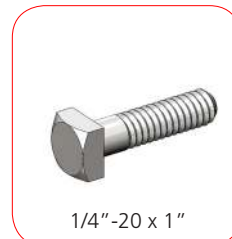
x2



M5 x 10

LN-LCD-SCW

x2



1/4"-20 x 1"

BOLT-1

x2



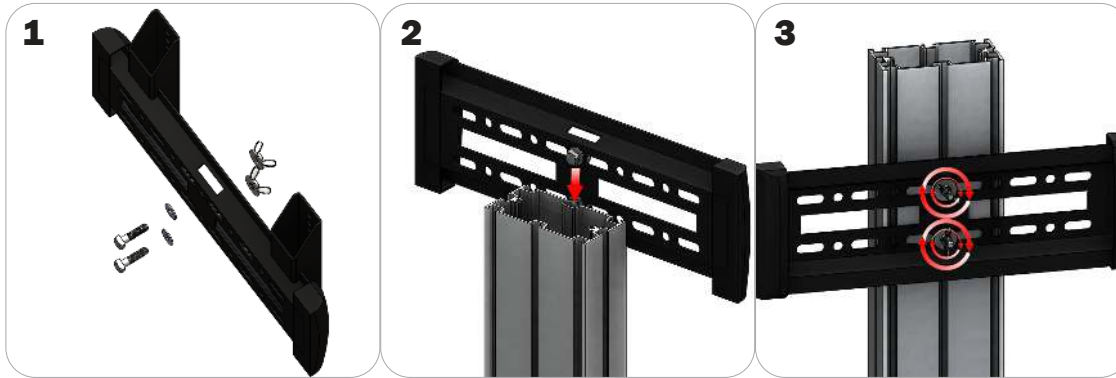
1/4"-20

Flange Wing nut

x2

# Extrusion Connection

## Channel Connection A



Locate all components needed to assemble the monitor mount with the channel connection A method. You will need (1) monitor bracket, (2) square head bolts, (2) washers, and (2) wing nuts.

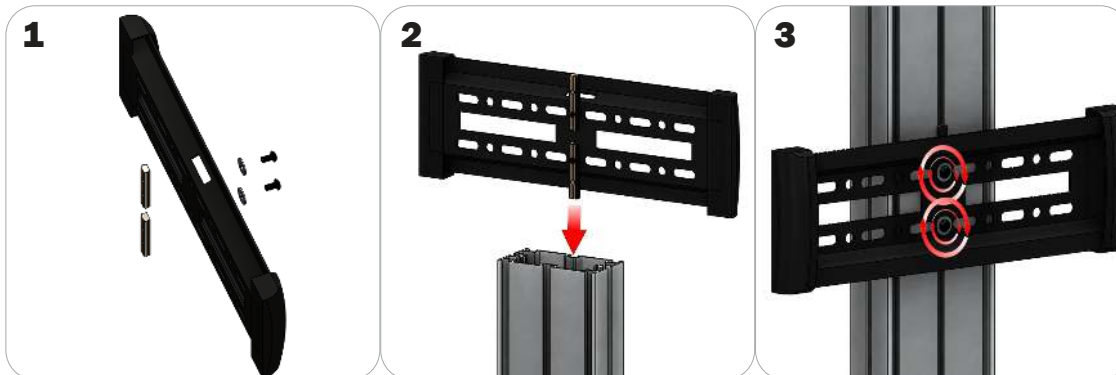
**Step 1:** Insert the provided bolts through the washers and center top and bottom holes of the monitor mount. Loosely thread your wing nuts onto the end of the bolts.

**Step 2:** Slide the bolt heads down the extrusion channel.

**Step 3:** Tighten your wing nuts to lock the monitor bracket in place.

**Step 4:** Reference the included manufacturer monitor mount instructions for fastening your monitor to the bracket.

## Channel Connection B



Locate all components needed to assemble the monitor mount with the channel connection B method. You will need (1) monitor bracket, (2) LN-LCD-SCW, (2) LN-100, and (2) washers.

**Step 1:** Loosely thread the LN-LCD-SCW screws through the washers, the center top and bottom holes of the monitor bracket, and through the LN-50 holes.

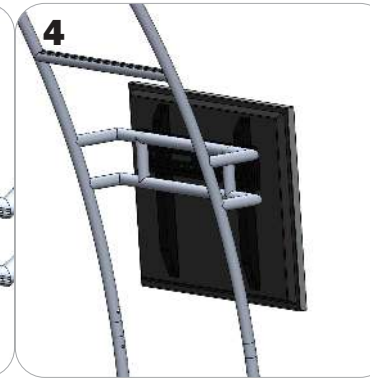
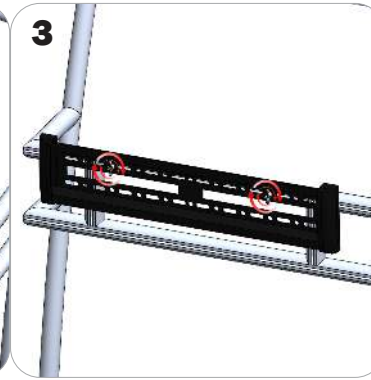
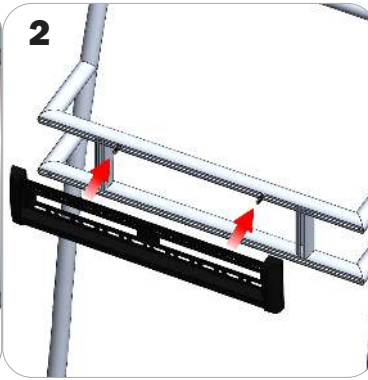
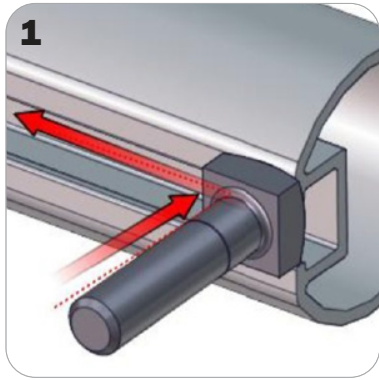
**Step 2:** Slide the LN-100s down the extrusion channel.

**Step 3:** Tighten your LN-LCD-SCW to lock the monitor bracket in place.

**Step 4:** Reference the included manufacturer monitor mount instructions for fastening your monitor to the bracket.

# Extrusion Connection

## TRI-30MM Channel Tube Connection



Locate all components needed to assemble the monitor mount with the TRI-30MM Channel Tube Connection method. You will need (1) monitor bracket, (2) Square Bolts, and (2) Wingnuts.

**Step 1:** Slip the head of the square bolts into the extrusion channel of the tube.

**Step 2:** Apply your monitor bracket to the protruding square bolts.

**Step 3:** Lock your monitor bracket to the square bolts using the provided wingnuts.

**Step 4:** Reference the included manufacturer monitor mount instructions for fastening your monitor to the bracket.